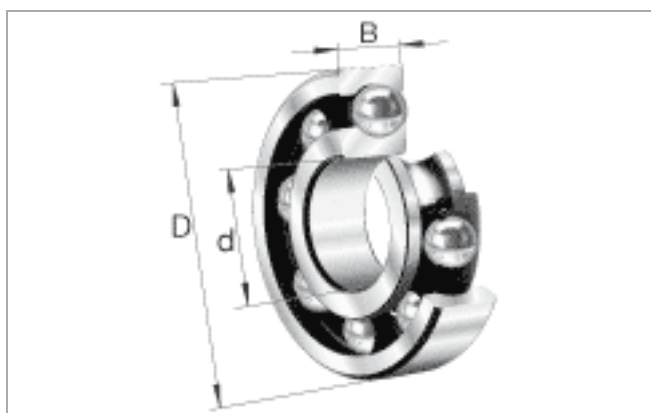




# Deep groove ball bearings 62

main dimensions to DIN 625-1

The datasheet is only an overview of dimensions and basic load ratings for the selected series. Please ensure that you note all the guidance in these overview pages. Further information is given on many products under the menu item "Description". You can also request comprehensive information material via Catalogue selection (<http://www.fag.de/content.fag.de/en/services/mediathek/library/library.jsp>), by e-mail ([sales\\_promotion@fag.de](mailto:sales_promotion@fag.de)) or by telephone +49 (91 32) 82 - 28 97.



	d mm	D mm	B mm
623	3	10	4
624	4	13	5
625	5	16	5
626	6	19	6
627	7	22	7
629	9	26	8
6200	10	30	9
6201	12	32	10
6202	15	35	11
6203	17	40	12
6204	20	47	14
6205	25	52	15
6206	30	62	16
6207	35	72	17
6208	40	80	18
	d mm	D mm	B mm

	d mm	D mm	B mm
6209	45	85	19
6210	50	90	20
6211	55	100	21
6212	60	110	22
6213	65	120	23
6214	70	125	24
6215	75	130	25
6216	80	140	26
6217	85	150	28
6218	90	160	30
6219	95	170	32
6220	100	180	34
6221	105	190	36
6222	110	200	38
6224	120	215	40
6226	130	230	40
6228	140	250	42
6230	150	270	45
6232-M	160	290	48
6234-M	170	310	52
6236-M	180	320	52
6238-M	190	340	55
6240-M	200	360	58
6244-M	220	400	65
6248-M	240	440	72
6252-M	260	480	80
6256-M	280	500	80
	d mm	D mm	B mm

Figure 1

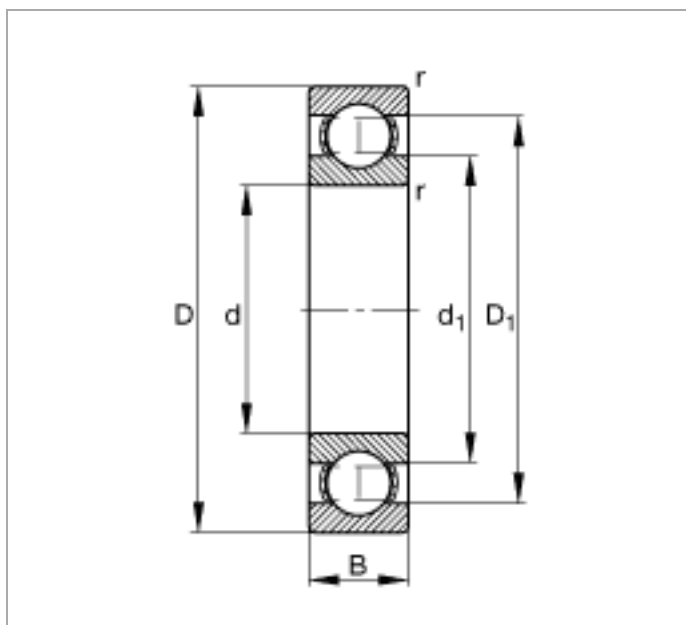
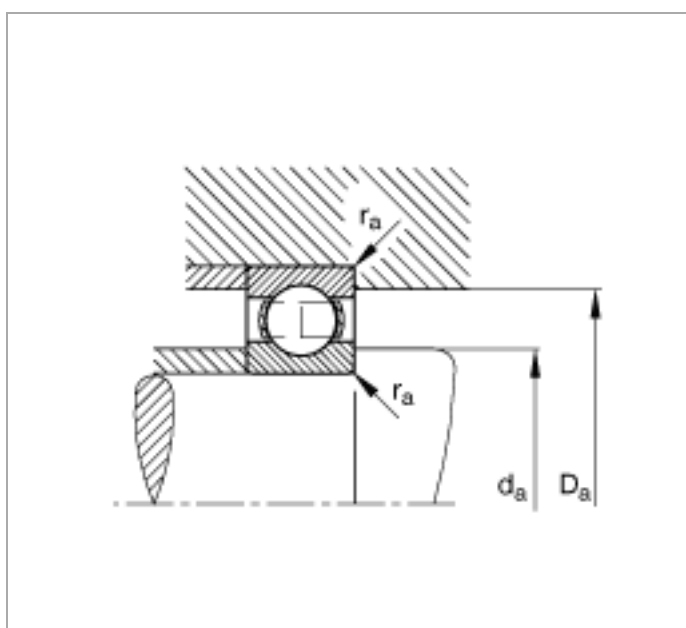


Figure 2



## 623

Figure 1 , Figure 2

d	3 mm	
D	10 mm	
B	4 mm	
D <sub>1</sub>	7,7 mm	
d <sub>1</sub>	5 mm	
D <sub>a max</sub>	8,6 mm	
d <sub>a min</sub>	4,4 mm	
r <sub>a max</sub>	0,15 mm	
r <sub>min</sub>	0,15 mm	
m	0,0010 kg	Mass
C <sub>r</sub>	640 N	Basic dynamic load rating, radial
C <sub>0r</sub>	224 N	Basic static load rating, radial
f <sub>0</sub>	12,8	
n <sub>G</sub>	32000 1/min	Limiting speed
n <sub>B</sub>	67000 1/min	Reference speed

## 624

Figure 1 , Figure 2

d	4 mm	
D	13 mm	
B	5 mm	
D <sub>1</sub>	10,5 mm	
d <sub>1</sub>	7 mm	
D <sub>a max</sub>	11,2 mm	
d <sub>a min</sub>	5,8 mm	
r <sub>a max</sub>	0,2 mm	
r <sub>min</sub>	0,2 mm	
m	0,0030 kg	Mass
C <sub>r</sub>	1290 N	Basic dynamic load rating, radial
C <sub>0r</sub>	490 N	Basic static load rating, radial
f <sub>0</sub>	12,3	
n <sub>G</sub>	45000 1/min	Limiting speed
n <sub>B</sub>	44500 1/min	Reference speed
C <sub>ur</sub>	24,6 N	Fatigue limit load, radial

## 625

Figure 1 , Figure 2

d	5 mm	
D	16 mm	
B	5 mm	
D <sub>1</sub>	12,5 mm	
d <sub>1</sub>	8,5 mm	
D <sub>a max</sub>	13,6 mm	
d <sub>a min</sub>	7,4 mm	
r <sub>a max</sub>	0,3 mm	
r <sub>min</sub>	0,3 mm	
m	0,0050 kg	Mass
C <sub>r</sub>	1320 N	Basic dynamic load rating, radial
C <sub>0r</sub>	440 N	Basic static load rating, radial
f <sub>0</sub>	8,1	
n <sub>G</sub>	43000 1/min	Limiting speed
n <sub>B</sub>	36500 1/min	Reference speed
C <sub>ur</sub>	22,4 N	Fatigue limit load, radial

626

Figure 1 , Figure 2

d	6 mm	
D	19 mm	
B	6 mm	
D <sub>1</sub>	15,5 mm	
d <sub>1</sub>	10,6 mm	
D <sub>a max</sub>	16,6 mm	
d <sub>a min</sub>	8,4 mm	
r <sub>a max</sub>	0,3 mm	
r <sub>min</sub>	0,3 mm	
m	0,0080 kg	Mass
C <sub>r</sub>	2600 N	Basic dynamic load rating, radial
C <sub>0r</sub>	1060 N	Basic static load rating, radial
f <sub>0</sub>	12,3	
n <sub>G</sub>	38000 1/min	Limiting speed
n <sub>B</sub>	30500 1/min	Reference speed
C <sub>ur</sub>	53 N	Fatigue limit load, radial

627

Figure 1 , Figure 2

d	7 mm	
D	22 mm	
B	7 mm	
D <sub>1</sub>	18 mm	
d <sub>1</sub>	12,4 mm	
D <sub>a max</sub>	19,6 mm	
d <sub>a min</sub>	9,4 mm	
r <sub>a max</sub>	0,3 mm	
r <sub>min</sub>	0,3 mm	
m	0,011 kg	Mass
C <sub>r</sub>	3250 N	Basic dynamic load rating, radial
C <sub>0r</sub>	1370 N	Basic static load rating, radial
f <sub>0</sub>	12,4	
n <sub>G</sub>	36000 1/min	Limiting speed
n <sub>B</sub>	28000 1/min	Reference speed
C <sub>ur</sub>	72 N	Fatigue limit load, radial



629

Figure 1 , Figure 2

d	9 mm	
D	26 mm	
B	8 mm	
D <sub>1</sub>	21,4 mm	
d <sub>1</sub>	14,7 mm	
D <sub>a max</sub>	23,6 mm	
d <sub>a min</sub>	11,4 mm	
r <sub>a max</sub>	0,3 mm	
r <sub>min</sub>	0,3 mm	
m	0,02 kg	Mass
C <sub>r</sub>	4550 N	Basic dynamic load rating, radial
C <sub>0r</sub>	1960 N	Basic static load rating, radial
f <sub>0</sub>	12,4	
n <sub>G</sub>	34000 1/min	Limiting speed
n <sub>B</sub>	24500 1/min	Reference speed
C <sub>ur</sub>	93 N	Fatigue limit load, radial

## 6200

Figure 1 , Figure 2

d	10 mm	
D	30 mm	
B	9 mm	
D <sub>1</sub>	24 mm	
d <sub>1</sub>	16,7 mm	
D <sub>a max</sub>	25,8 mm	
d <sub>a min</sub>	14,2 mm	
r <sub>a max</sub>	0,6 mm	
r <sub>min</sub>	0,6 mm	
m	0,031 kg	Mass
C <sub>r</sub>	6000 N	Basic dynamic load rating, radial
C <sub>0r</sub>	2600 N	Basic static load rating, radial
f <sub>0</sub>	12,1	
n <sub>G</sub>	32000 1/min	Limiting speed
n <sub>B</sub>	23400 1/min	Reference speed
C <sub>ur</sub>	171 N	Fatigue limit load, radial

## 6201

Figure 1 , Figure 2

d	12 mm	
D	32 mm	
B	10 mm	
D <sub>1</sub>	25,8 mm	
d <sub>1</sub>	18,3 mm	
D <sub>a max</sub>	27,8 mm	
d <sub>a min</sub>	16,2 mm	
r <sub>a max</sub>	0,6 mm	
r <sub>min</sub>	0,6 mm	
m	0,037 kg	Mass
C <sub>r</sub>	6950 N	Basic dynamic load rating, radial
C <sub>0r</sub>	3100 N	Basic static load rating, radial
f <sub>0</sub>	12,2	
n <sub>G</sub>	30000 1/min	Limiting speed
n <sub>B</sub>	22200 1/min	Reference speed
C <sub>ur</sub>	198 N	Fatigue limit load, radial

## 6202

Figure 1 , Figure 2

d	15 mm	
D	35 mm	
B	11 mm	
D <sub>1</sub>	29,3 mm	
d <sub>1</sub>	21,1 mm	
D <sub>a max</sub>	30,8 mm	
d <sub>a min</sub>	19,2 mm	
r <sub>a max</sub>	0,6 mm	
r <sub>min</sub>	0,6 mm	
m	0,043 kg	Mass
C <sub>r</sub>	7800 N	Basic dynamic load rating, radial
C <sub>0r</sub>	3750 N	Basic static load rating, radial
f <sub>0</sub>	13,1	
n <sub>G</sub>	26000 1/min	Limiting speed
n <sub>B</sub>	19800 1/min	Reference speed
C <sub>ur</sub>	220 N	Fatigue limit load, radial

## 6203

Figure 1 , Figure 2

d	17 mm	
D	40 mm	
B	12 mm	
D <sub>1</sub>	33,1 mm	
d <sub>1</sub>	24 mm	
D <sub>a max</sub>	35,8 mm	
d <sub>a min</sub>	21,2 mm	
r <sub>a max</sub>	0,6 mm	
r <sub>min</sub>	0,6 mm	
m	0,065 kg	Mass
C <sub>r</sub>	9500 N	Basic dynamic load rating, radial
C <sub>0r</sub>	4750 N	Basic static load rating, radial
f <sub>0</sub>	13,1	
n <sub>G</sub>	22000 1/min	Limiting speed
n <sub>B</sub>	18100 1/min	Reference speed
C <sub>ur</sub>	275 N	Fatigue limit load, radial

## 6204

Figure 1 , Figure 2

d	20 mm	
D	47 mm	
B	14 mm	
D <sub>1</sub>	38,4 mm	
d <sub>1</sub>	28,8 mm	
D <sub>a max</sub>	41,4 mm	
d <sub>a min</sub>	25,6 mm	
r <sub>a max</sub>	1 mm	
r <sub>min</sub>	1 mm	
m	0,106 kg	Mass
C <sub>r</sub>	12700 N	Basic dynamic load rating, radial
C <sub>0r</sub>	6550 N	Basic static load rating, radial
f <sub>0</sub>	13,1	
n <sub>G</sub>	18000 1/min	Limiting speed
n <sub>B</sub>	16300 1/min	Reference speed
C <sub>ur</sub>	440 N	Fatigue limit load, radial

## 6205

Figure 1 , Figure 2

d	25 mm	
D	52 mm	
B	15 mm	
D <sub>1</sub>	43,6 mm	
d <sub>1</sub>	33,5 mm	
D <sub>a max</sub>	46,4 mm	
d <sub>a min</sub>	30,6 mm	
r <sub>a max</sub>	1 mm	
r <sub>min</sub>	1 mm	
m	0,129 kg	Mass
C <sub>r</sub>	14000 N	Basic dynamic load rating, radial
C <sub>0r</sub>	7800 N	Basic static load rating, radial
f <sub>0</sub>	13,8	
n <sub>G</sub>	17000 1/min	Limiting speed
n <sub>B</sub>	14500 1/min	Reference speed
C <sub>ur</sub>	510 N	Fatigue limit load, radial

## 6206

Figure 1 , Figure 2

d	30 mm	
D	62 mm	
B	16 mm	
D <sub>1</sub>	52,1 mm	
d <sub>1</sub>	40 mm	
D <sub>a max</sub>	56,4 mm	
d <sub>a min</sub>	35,6 mm	
r <sub>a max</sub>	1 mm	
r <sub>min</sub>	1 mm	
m	0,195 kg	Mass
C <sub>r</sub>	19300 N	Basic dynamic load rating, radial
C <sub>0r</sub>	11200 N	Basic static load rating, radial
f <sub>0</sub>	13,8	
n <sub>G</sub>	14000 1/min	Limiting speed
n <sub>B</sub>	12000 1/min	Reference speed
C <sub>ur</sub>	680 N	Fatigue limit load, radial



## 6207

Figure 1 , Figure 2

d	35 mm	
D	72 mm	
B	17 mm	
D <sub>1</sub>	60,7 mm	
d <sub>1</sub>	47,2 mm	
D <sub>a max</sub>	65 mm	
d <sub>a min</sub>	42 mm	
r <sub>a max</sub>	1 mm	
r <sub>min</sub>	1,1 mm	
m	0,291 kg	Mass
C <sub>r</sub>	25500 N	Basic dynamic load rating, radial
C <sub>0r</sub>	15300 N	Basic static load rating, radial
f <sub>0</sub>	13,8	
n <sub>G</sub>	24000 1/min	Limiting speed
n <sub>B</sub>	10400 1/min	Reference speed
C <sub>ur</sub>	920 N	Fatigue limit load, radial

## 6208

Figure 1 , Figure 2

d	40 mm	
D	80 mm	
B	18 mm	
D <sub>1</sub>	67,5 mm	
d <sub>1</sub>	53 mm	
D <sub>a max</sub>	73 mm	
d <sub>a min</sub>	47 mm	
r <sub>a max</sub>	1 mm	
r <sub>min</sub>	1,1 mm	
m	0,372 kg	Mass
C <sub>r</sub>	29000 N	Basic dynamic load rating, radial
C <sub>0r</sub>	18000 N	Basic static load rating, radial
f <sub>0</sub>	14	
n <sub>G</sub>	20000 1/min	Limiting speed
n <sub>B</sub>	9300 1/min	Reference speed
C <sub>ur</sub>	1050 N	Fatigue limit load, radial

## 6209

Figure 1 , Figure 2

d	45 mm	
D	85 mm	
B	19 mm	
D <sub>1</sub>	71,8 mm	
d <sub>1</sub>	57,2 mm	
D <sub>a max</sub>	78 mm	
d <sub>a min</sub>	52 mm	
r <sub>a max</sub>	1 mm	
r <sub>min</sub>	1,1 mm	
m	0,429 kg	Mass
C <sub>r</sub>	31000 N	Basic dynamic load rating, radial
C <sub>0r</sub>	20400 N	Basic static load rating, radial
f <sub>0</sub>	14,3	
n <sub>G</sub>	19000 1/min	Limiting speed
n <sub>B</sub>	8900 1/min	Reference speed
C <sub>ur</sub>	1150 N	Fatigue limit load, radial

## 6210

Figure 1 , Figure 2

d	50 mm	
D	90 mm	
B	20 mm	
D <sub>1</sub>	77,9 mm	
d <sub>1</sub>	62 mm	
D <sub>a max</sub>	83 mm	
d <sub>a min</sub>	57 mm	
r <sub>a max</sub>	1 mm	
r <sub>min</sub>	1,1 mm	
m	0,466 kg	Mass
C <sub>r</sub>	36500 N	Basic dynamic load rating, radial
C <sub>0r</sub>	24000 N	Basic static load rating, radial
f <sub>0</sub>	14,3	
n <sub>G</sub>	18000 1/min	Limiting speed
n <sub>B</sub>	8200 1/min	Reference speed
C <sub>ur</sub>	1420 N	Fatigue limit load, radial

## 6211

Figure 1 , Figure 2

d	55 mm	
D	100 mm	
B	21 mm	
D <sub>1</sub>	86,1 mm	
d <sub>1</sub>	68,9 mm	
D <sub>a max</sub>	91 mm	
d <sub>a min</sub>	64 mm	
r <sub>a max</sub>	1,5 mm	
r <sub>min</sub>	1,5 mm	
m	0,618 kg	Mass
C <sub>r</sub>	43000 N	Basic dynamic load rating, radial
C <sub>0r</sub>	29000 N	Basic static load rating, radial
f <sub>0</sub>	14,3	
n <sub>G</sub>	16000 1/min	Limiting speed
n <sub>B</sub>	7500 1/min	Reference speed
C <sub>ur</sub>	1720 N	Fatigue limit load, radial

## 6212

Figure 1 , Figure 2

d	60 mm	
D	110 mm	
B	22 mm	
D <sub>1</sub>	95,7 mm	
d <sub>1</sub>	76,1 mm	
D <sub>a max</sub>	101 mm	
d <sub>a min</sub>	69 mm	
r <sub>a max</sub>	1,5 mm	
r <sub>min</sub>	1,5 mm	
m	0,791 kg	Mass
C <sub>r</sub>	52000 N	Basic dynamic load rating, radial
C <sub>0r</sub>	36000 N	Basic static load rating, radial
f <sub>0</sub>	14,3	
n <sub>G</sub>	14000 1/min	Limiting speed
n <sub>B</sub>	6800 1/min	Reference speed
C <sub>ur</sub>	2240 N	Fatigue limit load, radial

## 6213

Figure 1 , Figure 2

d	65 mm	
D	120 mm	
B	23 mm	
D <sub>1</sub>	103,1 mm	
d <sub>1</sub>	82,3 mm	
D <sub>a max</sub>	111 mm	
d <sub>a min</sub>	74 mm	
r <sub>a max</sub>	1,5 mm	
r <sub>min</sub>	1,5 mm	
m	1 kg	Mass
C <sub>r</sub>	60000 N	Basic dynamic load rating, radial
C <sub>0r</sub>	41500 N	Basic static load rating, radial
f <sub>0</sub>	14,3	
n <sub>G</sub>	13000 1/min	Limiting speed
n <sub>B</sub>	6300 1/min	Reference speed
C <sub>ur</sub>	2550 N	Fatigue limit load, radial

## 6214

Figure 1 , Figure 2

d	70 mm	
D	125 mm	
B	24 mm	
D <sub>1</sub>	108 mm	
d <sub>1</sub>	87,1 mm	
D <sub>a max</sub>	116 mm	
d <sub>a min</sub>	79 mm	
r <sub>a max</sub>	1,5 mm	
r <sub>min</sub>	1,5 mm	
m	1,09 kg	Mass
C <sub>r</sub>	62000 N	Basic dynamic load rating, radial
C <sub>0r</sub>	44000 N	Basic static load rating, radial
f <sub>0</sub>	14,4	
n <sub>G</sub>	12000 1/min	Limiting speed
n <sub>B</sub>	6100 1/min	Reference speed
C <sub>ur</sub>	2900 N	Fatigue limit load, radial



## 6215

Figure 1 , Figure 2

d	75 mm	
D	130 mm	
B	25 mm	
D <sub>1</sub>	112,8 mm	
d <sub>1</sub>	92,5 mm	
D <sub>a max</sub>	121 mm	
d <sub>a min</sub>	84 mm	
r <sub>a max</sub>	1,5 mm	
r <sub>min</sub>	1,5 mm	
m	1,19 kg	Mass
C <sub>r</sub>	65500 N	Basic dynamic load rating, radial
C <sub>0r</sub>	49000 N	Basic static load rating, radial
f <sub>0</sub>	14,7	
n <sub>G</sub>	11000 1/min	Limiting speed
n <sub>B</sub>	5900 1/min	Reference speed
C <sub>ur</sub>	3350 N	Fatigue limit load, radial

## 6216

Figure 1 , Figure 2

d	80 mm	
D	140 mm	
B	26 mm	
D <sub>1</sub>	121,3 mm	
d <sub>1</sub>	98,8 mm	
D <sub>a max</sub>	129 mm	
d <sub>a min</sub>	91 mm	
r <sub>a max</sub>	2 mm	
r <sub>min</sub>	2 mm	
m	1,46 kg	Mass
C <sub>r</sub>	72000 N	Basic dynamic load rating, radial
C <sub>0r</sub>	54000 N	Basic static load rating, radial
f <sub>0</sub>	14,8	
n <sub>G</sub>	11000 1/min	Limiting speed
n <sub>B</sub>	5600 1/min	Reference speed
C <sub>ur</sub>	3450 N	Fatigue limit load, radial

## 6217

Figure 1 , Figure 2

d	85 mm	
D	150 mm	
B	28 mm	
D <sub>1</sub>	129,7 mm	
d <sub>1</sub>	106,6 mm	
D <sub>a max</sub>	139 mm	
d <sub>a min</sub>	96 mm	
r <sub>a max</sub>	2 mm	
r <sub>min</sub>	2 mm	
m	1,87 kg	Mass
C <sub>r</sub>	83000 N	Basic dynamic load rating, radial
C <sub>0r</sub>	64000 N	Basic static load rating, radial
f <sub>0</sub>	14,7	
n <sub>G</sub>	10000 1/min	Limiting speed
n <sub>B</sub>	5300 1/min	Reference speed
C <sub>ur</sub>	4050 N	Fatigue limit load, radial

## 6218

Figure 1 , Figure 2

d	90 mm	
D	160 mm	
B	30 mm	
D <sub>1</sub>	139,7 mm	
d <sub>1</sub>	112,6 mm	
D <sub>a max</sub>	149 mm	
d <sub>a min</sub>	101 mm	
r <sub>a max</sub>	2 mm	
r <sub>min</sub>	2 mm	
m	2,21 kg	Mass
C <sub>r</sub>	96500 N	Basic dynamic load rating, radial
C <sub>0r</sub>	72000 N	Basic static load rating, radial
f <sub>0</sub>	14,5	
n <sub>G</sub>	9000 1/min	Limiting speed
n <sub>B</sub>	5100 1/min	Reference speed
C <sub>ur</sub>	4200 N	Fatigue limit load, radial

## 6219

Figure 1 , Figure 2

d	95 mm	
D	170 mm	
B	32 mm	
D <sub>1</sub>	146,6 mm	
d <sub>1</sub>	118,7 mm	
D <sub>a max</sub>	158 mm	
d <sub>a min</sub>	107 mm	
r <sub>a max</sub>	2,1 mm	
r <sub>min</sub>	2,1 mm	
m	2,73 kg	Mass
C <sub>r</sub>	108000 N	Basic dynamic load rating, radial
C <sub>0r</sub>	81500 N	Basic static load rating, radial
f <sub>0</sub>	14,4	
n <sub>G</sub>	8500 1/min	Limiting speed
n <sub>B</sub>	4950 1/min	Reference speed
C <sub>ur</sub>	4700 N	Fatigue limit load, radial

## 6220

Figure 1 , Figure 2

d	100 mm	
D	180 mm	
B	34 mm	
D <sub>1</sub>	154,8 mm	
d <sub>1</sub>	125,2 mm	
D <sub>a max</sub>	168 mm	
d <sub>a min</sub>	112 mm	
r <sub>a max</sub>	2,1 mm	
r <sub>min</sub>	2,1 mm	
m	3,3 kg	Mass
C <sub>r</sub>	122000 N	Basic dynamic load rating, radial
C <sub>0r</sub>	93000 N	Basic static load rating, radial
f <sub>0</sub>	14,4	
n <sub>G</sub>	8000 1/min	Limiting speed
n <sub>B</sub>	4800 1/min	Reference speed
C <sub>ur</sub>	5400 N	Fatigue limit load, radial

## 6221

Figure 1 , Figure 2

d	105 mm	
D	190 mm	
B	36 mm	
D <sub>1</sub>	163,2 mm	
d <sub>1</sub>	131,9 mm	
D <sub>a max</sub>	178 mm	
d <sub>a min</sub>	117 mm	
r <sub>a max</sub>	2,1 mm	
r <sub>min</sub>	2,1 mm	
m	3,88 kg	Mass
C <sub>r</sub>	132000 N	Basic dynamic load rating, radial
C <sub>0r</sub>	104000 N	Basic static load rating, radial
f <sub>0</sub>	14,3	
n <sub>G</sub>	7500 1/min	Limiting speed
n <sub>B</sub>	4650 1/min	Reference speed
C <sub>ur</sub>	5700 N	Fatigue limit load, radial

## 6222

Figure 1 , Figure 2

d	110 mm	
D	200 mm	
B	38 mm	
D <sub>1</sub>	171,6 mm	
d <sub>1</sub>	138,5 mm	
D <sub>a max</sub>	188 mm	
d <sub>a min</sub>	122 mm	
r <sub>a max</sub>	2,1 mm	
r <sub>min</sub>	2,1 mm	
m	4,64 kg	Mass
C <sub>r</sub>	143000 N	Basic dynamic load rating, radial
C <sub>0r</sub>	116000 N	Basic static load rating, radial
f <sub>0</sub>	14,3	
n <sub>G</sub>	7000 1/min	Limiting speed
n <sub>B</sub>	4500 1/min	Reference speed
C <sub>ur</sub>	6300 N	Fatigue limit load, radial



## 6224

Figure 1 , Figure 2

d	120 mm	
D	215 mm	
B	40 mm	
D <sub>1</sub>	184,9 mm	
d <sub>1</sub>	151,6 mm	
D <sub>a max</sub>	203 mm	
d <sub>a min</sub>	132 mm	
r <sub>a max</sub>	2,1 mm	
r <sub>min</sub>	2,1 mm	
m	5,62 kg	Mass
C <sub>r</sub>	146000 N	Basic dynamic load rating, radial
C <sub>0r</sub>	122000 N	Basic static load rating, radial
f <sub>0</sub>	14,8	
n <sub>G</sub>	6700 1/min	Limiting speed
n <sub>B</sub>	4250 1/min	Reference speed
C <sub>ur</sub>	6200 N	Fatigue limit load, radial

## 6226

Figure 1 , Figure 2

d	130 mm	
D	230 mm	
B	40 mm	
D <sub>1</sub>	198,6 mm	
d <sub>1</sub>	161,4 mm	
D <sub>a max</sub>	216 mm	
d <sub>a min</sub>	144 mm	
r <sub>a max</sub>	2,5 mm	
r <sub>min</sub>	3 mm	
m	6,24 kg	Mass
C <sub>r</sub>	166000 N	Basic dynamic load rating, radial
C <sub>0r</sub>	146000 N	Basic static load rating, radial
f <sub>0</sub>	14,5	
n <sub>G</sub>	6300 1/min	Limiting speed
n <sub>B</sub>	3900 1/min	Reference speed
C <sub>ur</sub>	7500 N	Fatigue limit load, radial

## 6228

Figure 1 , Figure 2

d	140 mm	
D	250 mm	
B	42 mm	
D <sub>1</sub>	213,7 mm	
d <sub>1</sub>	175,9 mm	
D <sub>a max</sub>	236 mm	
d <sub>a min</sub>	154 mm	
r <sub>a max</sub>	2,5 mm	
r <sub>min</sub>	3 mm	
m	8,07 kg	Mass
C <sub>r</sub>	176000 N	Basic dynamic load rating, radial
C <sub>0r</sub>	166000 N	Basic static load rating, radial
f <sub>0</sub>	14,8	
n <sub>G</sub>	6000 1/min	Limiting speed
n <sub>B</sub>	3600 1/min	Reference speed
C <sub>ur</sub>	8100 N	Fatigue limit load, radial

## 6230

Figure 1 , Figure 2

d	150 mm	
D	270 mm	
B	45 mm	
D <sub>1</sub>	229,1 mm	
d <sub>1</sub>	191,6 mm	
D <sub>a max</sub>	256 mm	
d <sub>a min</sub>	164 mm	
r <sub>a max</sub>	2,5 mm	
r <sub>min</sub>	3 mm	
m	10,3 kg	Mass
C <sub>r</sub>	176000 N	Basic dynamic load rating, radial
C <sub>0r</sub>	170000 N	Basic static load rating, radial
f <sub>0</sub>	15,2	
n <sub>G</sub>	5600 1/min	Limiting speed
n <sub>B</sub>	3350 1/min	Reference speed
C <sub>ur</sub>	7800 N	Fatigue limit load, radial

## 6232-M

Figure 1 , Figure 2

d	160 mm	
D	290 mm	
B	48 mm	
D <sub>1</sub>	244,8 mm	
d <sub>1</sub>	205 mm	
D <sub>a max</sub>	276 mm	
d <sub>a min</sub>	174 mm	
r <sub>a max</sub>	2,5 mm	
r <sub>min</sub>	3 mm	
m	14,7 kg	Mass
C <sub>r</sub>	200000 N	Basic dynamic load rating, radial
C <sub>0r</sub>	204000 N	Basic static load rating, radial
f <sub>0</sub>	15,2	
n <sub>G</sub>	5600 1/min	Limiting speed
n <sub>B</sub>	3100 1/min	Reference speed
C <sub>ur</sub>	8900 N	Fatigue limit load, radial

## 6234-M

Figure 1 , Figure 2

d	170 mm	
D	310 mm	
B	52 mm	
D <sub>1</sub>	260,7 mm	
d <sub>1</sub>	219,1 mm	
D <sub>a max</sub>	293 mm	
d <sub>a min</sub>	187 mm	
r <sub>a max</sub>	3 mm	
r <sub>min</sub>	4 mm	
m	18,3 kg	Mass
C <sub>r</sub>	212000 N	Basic dynamic load rating, radial
C <sub>0r</sub>	224000 N	Basic static load rating, radial
f <sub>0</sub>	15,3	
n <sub>G</sub>	5300 1/min	Limiting speed
n <sub>B</sub>	2950 1/min	Reference speed
C <sub>ur</sub>	9400 N	Fatigue limit load, radial

## 6236-M

Figure 1 , Figure 2

d	180 mm	
D	320 mm	
B	52 mm	
D <sub>1</sub>	272 mm	
d <sub>1</sub>	228,7 mm	
D <sub>a max</sub>	303 mm	
d <sub>a min</sub>	197 mm	
r <sub>a max</sub>	3 mm	
r <sub>min</sub>	4 mm	
m	19 kg	Mass
C <sub>r</sub>	224000 N	Basic dynamic load rating, radial
C <sub>0r</sub>	245000 N	Basic static load rating, radial
f <sub>0</sub>	15,3	
n <sub>G</sub>	4800 1/min	Limiting speed
n <sub>B</sub>	2750 1/min	Reference speed
C <sub>ur</sub>	10300 N	Fatigue limit load, radial

## 6238-M

Figure 1 , Figure 2

d	190 mm	
D	340 mm	
B	55 mm	
D <sub>1</sub>	291,5 mm	
d <sub>1</sub>	239,9 mm	
D <sub>a max</sub>	323 mm	
d <sub>a min</sub>	207 mm	
r <sub>a max</sub>	3 mm	
r <sub>min</sub>	4 mm	
m	22,6 kg	Mass
C <sub>r</sub>	255000 N	Basic dynamic load rating, radial
C <sub>0r</sub>	280000 N	Basic static load rating, radial
f <sub>0</sub>	15	
n <sub>G</sub>	4300 1/min	Limiting speed
n <sub>B</sub>	2600 1/min	Reference speed
C <sub>ur</sub>	11600 N	Fatigue limit load, radial



## 6240-M

Figure 1 , Figure 2

d	200 mm	
D	360 mm	
B	58 mm	
D <sub>1</sub>	306,5 mm	
d <sub>1</sub>	254,9 mm	
D <sub>a max</sub>	343 mm	
d <sub>a min</sub>	217 mm	
r <sub>a max</sub>	3 mm	
r <sub>min</sub>	4 mm	
m	27 kg	Mass
C <sub>r</sub>	270000 N	Basic dynamic load rating, radial
C <sub>0r</sub>	310000 N	Basic static load rating, radial
f <sub>0</sub>	15,3	
n <sub>G</sub>	4000 1/min	Limiting speed
n <sub>B</sub>	2430 1/min	Reference speed
C <sub>ur</sub>	12400 N	Fatigue limit load, radial

## 6244-M

Figure 1 , Figure 2

d	220 mm	
D	400 mm	
B	65 mm	
D <sub>1</sub>	337,6 mm	
d <sub>1</sub>	282,2 mm	
D <sub>a max</sub>	383 mm	
d <sub>a min</sub>	237 mm	
r <sub>a max</sub>	3 mm	
r <sub>min</sub>	4 mm	
m	37,9 kg	Mass
C <sub>r</sub>	300000 N	Basic dynamic load rating, radial
C <sub>0r</sub>	355000 N	Basic static load rating, radial
f <sub>0</sub>	15,2	
n <sub>G</sub>	3600 1/min	Limiting speed
n <sub>B</sub>	2200 1/min	Reference speed
C <sub>ur</sub>	13500 N	Fatigue limit load, radial

## 6248-M

Figure 1 , Figure 2

d	240 mm	
D	440 mm	
B	72 mm	
D <sub>1</sub>	369,6 mm	
d <sub>1</sub>	309,9 mm	
D <sub>a max</sub>	423 mm	
d <sub>a min</sub>	257 mm	
r <sub>a max</sub>	3 mm	
r <sub>min</sub>	4 mm	
m	51,3 kg	Mass
C <sub>r</sub>	360000 N	Basic dynamic load rating, radial
C <sub>0r</sub>	475000 N	Basic static load rating, radial
f <sub>0</sub>	15,2	
n <sub>G</sub>	3400 1/min	Limiting speed
n <sub>B</sub>	1980 1/min	Reference speed
C <sub>ur</sub>	16700 N	Fatigue limit load, radial

## 6252-M

Figure 1 , Figure 2

d	260 mm	
D	480 mm	
B	80 mm	
D <sub>1</sub>	402,4 mm	
d <sub>1</sub>	337,3 mm	
D <sub>a max</sub>	460 mm	
d <sub>a min</sub>	280 mm	
r <sub>a max</sub>	4 mm	
r <sub>min</sub>	5 mm	
m	68,4 kg	Mass
C <sub>r</sub>	405000 N	Basic dynamic load rating, radial
C <sub>0r</sub>	560000 N	Basic static load rating, radial
f <sub>0</sub>	15,2	
n <sub>G</sub>	3000 1/min	Limiting speed
n <sub>B</sub>	1820 1/min	Reference speed
C <sub>ur</sub>	19200 N	Fatigue limit load, radial

## 6256-M

Figure 1 , Figure 2

d	280 mm	
D	500 mm	
B	80 mm	
D <sub>1</sub>	423 mm	
d <sub>1</sub>	356,7 mm	
D <sub>a max</sub>	489 mm	
d <sub>a min</sub>	291 mm	
r <sub>a max</sub>	4 mm	
r <sub>min</sub>	5 mm	
m	72,9 kg	Mass
C <sub>r</sub>	425000 N	Basic dynamic load rating, radial
C <sub>0r</sub>	600000 N	Basic static load rating, radial
f <sub>0</sub>	15,3	
n <sub>G</sub>	3000 1/min	Limiting speed
n <sub>B</sub>	1690 1/min	Reference speed
C <sub>ur</sub>	20300 N	Fatigue limit load, radial