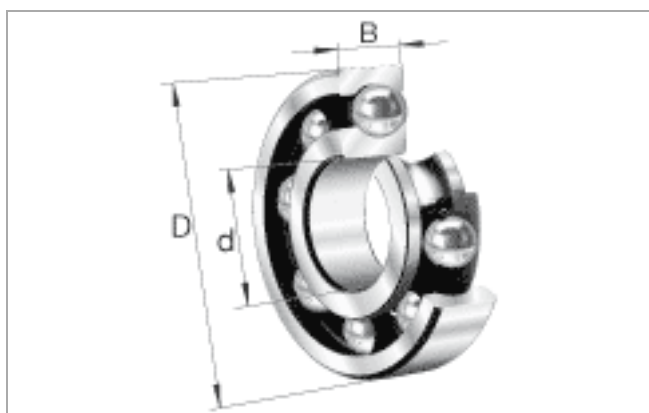




# Deep groove ball bearings 60

main dimensions to DIN 625-1

The datasheet is only an overview of dimensions and basic load ratings for the selected series. Please ensure that you note all the guidance in these overview pages. Further information is given on many products under the menu item "Description". You can also request comprehensive information material via Catalogue selection (<http://www.fag.de/content.fag.de/en/services/mediathek/library/library.jsp>), by e-mail ([sales\\_promotion@fag.de](mailto:sales_promotion@fag.de)) or by telephone +49 (91 32) 82 - 28 97.



	d mm	D mm	B mm
607	7	19	6
608	8	22	7
609	9	24	7
6000	10	26	8
6001	12	28	8
6002	15	32	9
6003	17	35	10
6004	20	42	12
6005	25	47	12
6006	30	55	13
6007	35	62	14
6008	40	68	15
6009	45	75	16
6010	50	80	16
6011	55	90	18
	d mm	D mm	B mm

	d mm	D mm	B mm
6012	60	95	18
6013	65	100	18
6014	70	110	20
6015	75	115	20
6016	80	125	22
6017	85	130	22
6018	90	140	24
6019	95	145	24
6020	100	150	24
6021	105	160	26
6022	110	170	28
6024	120	180	28
6026	130	200	33
6028	140	210	33
6030	150	225	35
6032-M	160	240	38
6034	170	260	42
6036-M	180	280	46
6038-M	190	290	46
6040-M	200	310	51
6044-M	220	340	56
6048-M	240	360	56
6052-M	260	400	65
6056-M	280	420	65
6060-M	300	460	74
6064-M	320	480	74
6068-M	340	520	82
6072-M	360	540	82
	d mm	D mm	B mm

Figure 1

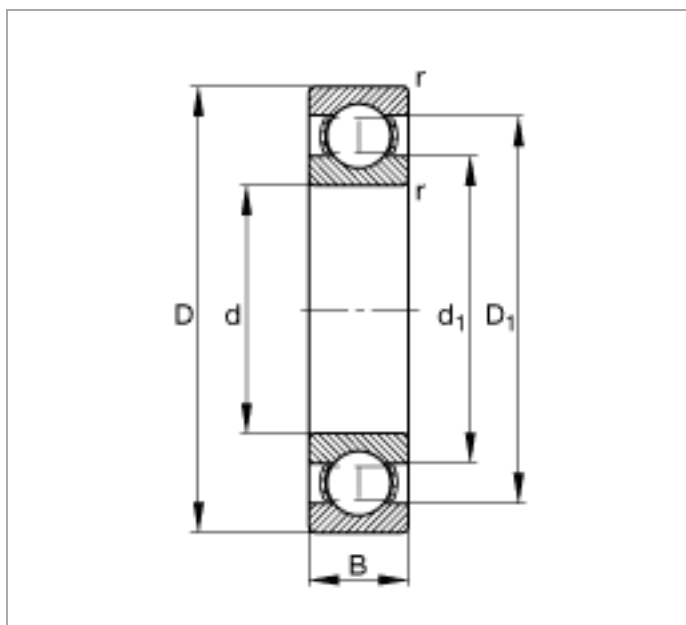


Figure 2

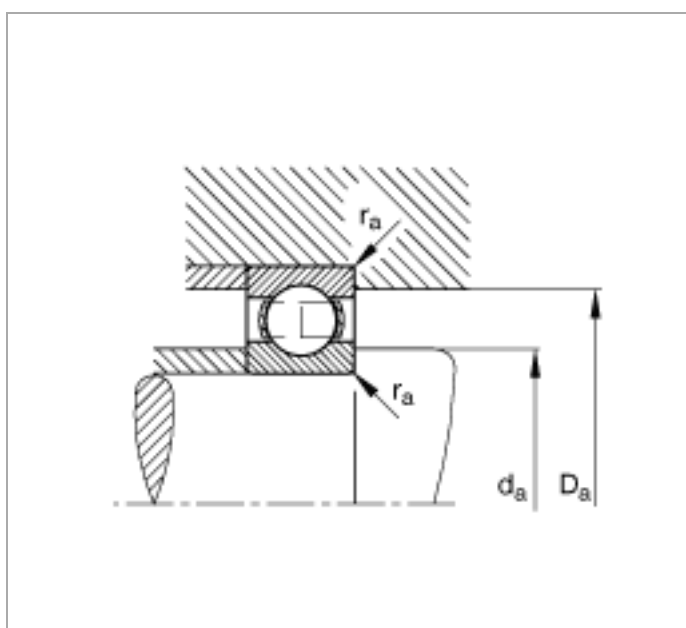
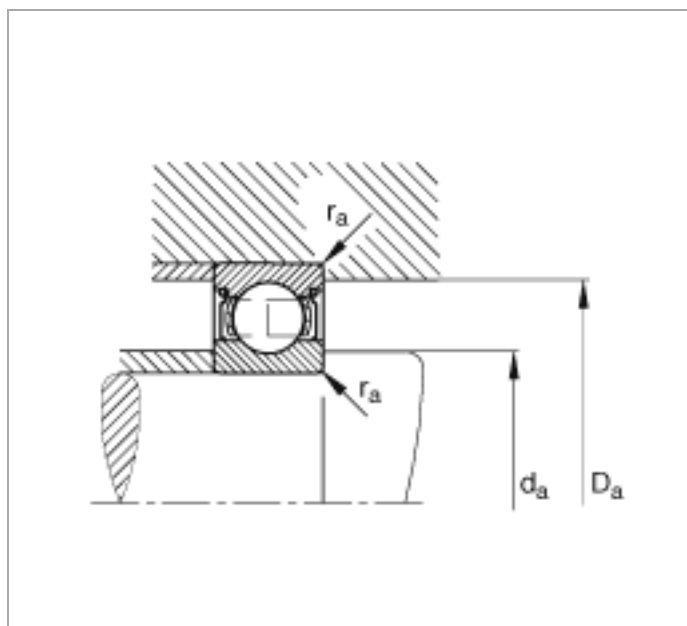


Figure 3



## 607

Figure 1 , Figure 2

d	7 mm	
D	19 mm	
B	6 mm	
D <sub>1</sub>	15,5 mm	
d <sub>1</sub>	10,6 mm	
D <sub>a max</sub>	17 mm	
d <sub>a min</sub>	9 mm	
r <sub>a max</sub>	0,3 mm	
r <sub>min</sub>	0,3 mm	
m	0,0070 kg	Mass
C <sub>r</sub>	2600 N	Basic dynamic load rating, radial
C <sub>0r</sub>	1060 N	Basic static load rating, radial
f <sub>0</sub>	12,3	
n <sub>G</sub>	38000 1/min	Limiting speed
n <sub>B</sub>	35000 1/min	Reference speed
C <sub>ur</sub>	53 N	Fatigue limit load, radial

## 608

Figure 1 , Figure 2

d	8 mm	
D	22 mm	
B	7 mm	
D <sub>1</sub>	18 mm	
d <sub>1</sub>	12,4 mm	
D <sub>a max</sub>	20 mm	
d <sub>a min</sub>	10 mm	
r <sub>a max</sub>	0,3 mm	
r <sub>min</sub>	0,3 mm	
m	0,01 kg	Mass
C <sub>r</sub>	3250 N	Basic dynamic load rating, radial
C <sub>0r</sub>	1370 N	Basic static load rating, radial
f <sub>0</sub>	12,4	
n <sub>G</sub>	36000 1/min	Limiting speed
n <sub>B</sub>	31500 1/min	Reference speed
C <sub>ur</sub>	72 N	Fatigue limit load, radial

609

Figure 1 , Figure 2

d	9 mm	
D	24 mm	
B	7 mm	
D <sub>1</sub>	19,6 mm	
d <sub>1</sub>	14 mm	
D <sub>a max</sub>	22 mm	
d <sub>a min</sub>	11 mm	
r <sub>a max</sub>	0,3 mm	
r <sub>min</sub>	0,3 mm	
m	0,015 kg	Mass
C <sub>r</sub>	3650 N	Basic dynamic load rating, radial
C <sub>0r</sub>	1630 N	Basic static load rating, radial
f <sub>0</sub>	13	
n <sub>G</sub>	36000 1/min	Limiting speed
n <sub>B</sub>	28000 1/min	Reference speed
C <sub>ur</sub>	89 N	Fatigue limit load, radial

## 6000

Figure 1 , Figure 2

d	10 mm	
D	26 mm	
B	8 mm	
D <sub>1</sub>	21,4 mm	
d <sub>1</sub>	14,7 mm	
D <sub>a max</sub>	24 mm	
d <sub>a min</sub>	12 mm	
r <sub>a max</sub>	0,3 mm	
r <sub>min</sub>	0,3 mm	
m	0,018 kg	Mass
C <sub>r</sub>	4550 N	Basic dynamic load rating, radial
C <sub>0r</sub>	1960 N	Basic static load rating, radial
f <sub>0</sub>	12,4	
n <sub>G</sub>	34000 1/min	Limiting speed
n <sub>B</sub>	27500 1/min	Reference speed
C <sub>ur</sub>	93 N	Fatigue limit load, radial



## 6001

Figure 1 , Figure 2

d	12 mm	
D	28 mm	
B	8 mm	
D <sub>1</sub>	23,5 mm	
d <sub>1</sub>	16,7 mm	
D <sub>a max</sub>	26 mm	
d <sub>a min</sub>	14 mm	
r <sub>a max</sub>	0,3 mm	
r <sub>min</sub>	0,3 mm	
m	0,02 kg	Mass
C <sub>r</sub>	5100 N	Basic dynamic load rating, radial
C <sub>0r</sub>	2360 N	Basic static load rating, radial
f <sub>0</sub>	13	
n <sub>G</sub>	32000 1/min	Limiting speed
n <sub>B</sub>	24200 1/min	Reference speed
C <sub>ur</sub>	130 N	Fatigue limit load, radial

## 6002

Figure 1 , Figure 2

d	15 mm	
D	32 mm	
B	9 mm	
D <sub>1</sub>	26,9 mm	
d <sub>1</sub>	20,5 mm	
D <sub>a max</sub>	30 mm	
d <sub>a min</sub>	17 mm	
r <sub>a max</sub>	0,3 mm	
r <sub>min</sub>	0,3 mm	
m	0,031 kg	Mass
C <sub>r</sub>	5600 N	Basic dynamic load rating, radial
C <sub>0r</sub>	2850 N	Basic static load rating, radial
f <sub>0</sub>	13,9	
n <sub>G</sub>	30000 1/min	Limiting speed
n <sub>B</sub>	21500 1/min	Reference speed
C <sub>ur</sub>	134 N	Fatigue limit load, radial

## 6003

Figure 2 , Figure 3

d	17 mm	
D	35 mm	
B	10 mm	
D <sub>1</sub>	29,5 mm	
d <sub>1</sub>	22,7 mm	
D <sub>a max</sub>	33 mm	
d <sub>a min</sub>	19 mm	
r <sub>a max</sub>	0,3 mm	
r <sub>min</sub>	0,3 mm	
m	0,038 kg	Mass
C <sub>r</sub>	6000 N	Basic dynamic load rating, radial
C <sub>0r</sub>	3250 N	Basic static load rating, radial
f <sub>0</sub>	14,3	
n <sub>G</sub>	28000 1/min	Limiting speed
n <sub>B</sub>	20300 1/min	Reference speed
C <sub>ur</sub>	157 N	Fatigue limit load, radial

## 6004

Figure 1 , Figure 2

d	20 mm	
D	42 mm	
B	12 mm	
D <sub>1</sub>	35,5 mm	
d <sub>1</sub>	26,6 mm	
D <sub>a max</sub>	38,8 mm	
d <sub>a min</sub>	23,2 mm	
r <sub>a max</sub>	0,6 mm	
r <sub>min</sub>	0,6 mm	
m	0,069 kg	Mass
C <sub>r</sub>	9300 N	Basic dynamic load rating, radial
C <sub>0r</sub>	5000 N	Basic static load rating, radial
f <sub>0</sub>	13,9	
n <sub>G</sub>	20000 1/min	Limiting speed
n <sub>B</sub>	18200 1/min	Reference speed
C <sub>ur</sub>	285 N	Fatigue limit load, radial

## 6005

Figure 1 , Figure 2

d	25 mm	
D	47 mm	
B	12 mm	
D <sub>1</sub>	40,2 mm	
d <sub>1</sub>	32 mm	
D <sub>a max</sub>	43,8 mm	
d <sub>a min</sub>	28,2 mm	
r <sub>a max</sub>	0,6 mm	
r <sub>min</sub>	0,6 mm	
m	0,081 kg	Mass
C <sub>r</sub>	10000 N	Basic dynamic load rating, radial
C <sub>0r</sub>	5850 N	Basic static load rating, radial
f <sub>0</sub>	14,5	
n <sub>G</sub>	36000 1/min	Limiting speed
n <sub>B</sub>	15200 1/min	Reference speed
C <sub>ur</sub>	305 N	Fatigue limit load, radial

## 6006

Figure 1 , Figure 2

d	30 mm	
D	55 mm	
B	13 mm	
D <sub>1</sub>	47,2 mm	
d <sub>1</sub>	38,3 mm	
D <sub>a max</sub>	50,4 mm	
d <sub>a min</sub>	34,6 mm	
r <sub>a max</sub>	1 mm	
r <sub>min</sub>	1 mm	
m	0,122 kg	Mass
C <sub>r</sub>	12700 N	Basic dynamic load rating, radial
C <sub>0r</sub>	8000 N	Basic static load rating, radial
f <sub>0</sub>	14,8	
n <sub>G</sub>	32000 1/min	Limiting speed
n <sub>B</sub>	13100 1/min	Reference speed
C <sub>ur</sub>	390 N	Fatigue limit load, radial

## 6007

Figure 1 , Figure 2

d	35 mm	
D	62 mm	
B	14 mm	
D <sub>1</sub>	53,3 mm	
d <sub>1</sub>	43,2 mm	
D <sub>a max</sub>	57,4 mm	
d <sub>a min</sub>	39,6 mm	
r <sub>a max</sub>	1 mm	
r <sub>min</sub>	1 mm	
m	0,157 kg	Mass
C <sub>r</sub>	16000 N	Basic dynamic load rating, radial
C <sub>0r</sub>	10200 N	Basic static load rating, radial
f <sub>0</sub>	14,8	
n <sub>G</sub>	28000 1/min	Limiting speed
n <sub>B</sub>	11700 1/min	Reference speed
C <sub>ur</sub>	550 N	Fatigue limit load, radial

## 6008

Figure 1 , Figure 2

d	40 mm	
D	68 mm	
B	15 mm	
D <sub>1</sub>	59,1 mm	
d <sub>1</sub>	49,3 mm	
D <sub>a max</sub>	63,4 mm	
d <sub>a min</sub>	44,6 mm	
r <sub>a max</sub>	1 mm	
r <sub>min</sub>	1 mm	
m	0,194 kg	Mass
C <sub>r</sub>	16600 N	Basic dynamic load rating, radial
C <sub>0r</sub>	11600 N	Basic static load rating, radial
f <sub>0</sub>	15,3	
n <sub>G</sub>	26000 1/min	Limiting speed
n <sub>B</sub>	10600 1/min	Reference speed
C <sub>ur</sub>	580 N	Fatigue limit load, radial



## 6009

Figure 1 , Figure 2

d	45 mm	
D	75 mm	
B	16 mm	
D <sub>1</sub>	65,5 mm	
d <sub>1</sub>	54,2 mm	
D <sub>a max</sub>	70,4 mm	
d <sub>a min</sub>	49,6 mm	
r <sub>a max</sub>	1 mm	
r <sub>min</sub>	1 mm	
m	0,247 kg	Mass
C <sub>r</sub>	20000 N	Basic dynamic load rating, radial
C <sub>0r</sub>	14300 N	Basic static load rating, radial
f <sub>0</sub>	15,4	
n <sub>G</sub>	22000 1/min	Limiting speed
n <sub>B</sub>	9700 1/min	Reference speed
C <sub>ur</sub>	730 N	Fatigue limit load, radial

## 6010

Figure 1 , Figure 2

d	50 mm	
D	80 mm	
B	16 mm	
D <sub>1</sub>	70,1 mm	
d <sub>1</sub>	59,8 mm	
D <sub>a max</sub>	75,4 mm	
d <sub>a min</sub>	54,6 mm	
r <sub>a max</sub>	1 mm	
r <sub>min</sub>	1 mm	
m	0,272 kg	Mass
C <sub>r</sub>	20800 N	Basic dynamic load rating, radial
C <sub>0r</sub>	15600 N	Basic static load rating, radial
f <sub>0</sub>	15,6	
n <sub>G</sub>	20000 1/min	Limiting speed
n <sub>B</sub>	8900 1/min	Reference speed
C <sub>ur</sub>	770 N	Fatigue limit load, radial

## 6011

Figure 1 , Figure 2

d	55 mm	
D	90 mm	
B	18 mm	
D <sub>1</sub>	78,9 mm	
d <sub>1</sub>	66,2 mm	
D <sub>a max</sub>	84 mm	
d <sub>a min</sub>	61 mm	
r <sub>a max</sub>	1 mm	
r <sub>min</sub>	1,1 mm	
m	0,397 kg	Mass
C <sub>r</sub>	28500 N	Basic dynamic load rating, radial
C <sub>0r</sub>	21200 N	Basic static load rating, radial
f <sub>0</sub>	15,4	
n <sub>G</sub>	18000 1/min	Limiting speed
n <sub>B</sub>	8300 1/min	Reference speed
C <sub>ur</sub>	1120 N	Fatigue limit load, radial

## 6012

Figure 1 , Figure 2

d	60 mm	
D	95 mm	
B	18 mm	
D <sub>1</sub>	83,9 mm	
d <sub>1</sub>	71,3 mm	
D <sub>a max</sub>	89 mm	
d <sub>a min</sub>	66 mm	
r <sub>a max</sub>	1 mm	
r <sub>min</sub>	1,1 mm	
m	0,419 kg	Mass
C <sub>r</sub>	29000 N	Basic dynamic load rating, radial
C <sub>0r</sub>	23200 N	Basic static load rating, radial
f <sub>0</sub>	15,5	
n <sub>G</sub>	17000 1/min	Limiting speed
n <sub>B</sub>	7600 1/min	Reference speed
C <sub>ur</sub>	1190 N	Fatigue limit load, radial

## 6013

Figure 1 , Figure 2

d	65 mm	
D	100 mm	
B	18 mm	
D <sub>1</sub>	88,8 mm	
d <sub>1</sub>	76,2 mm	
D <sub>a max</sub>	94 mm	
d <sub>a min</sub>	71 mm	
r <sub>a max</sub>	1 mm	
r <sub>min</sub>	1,1 mm	
m	0,448 kg	Mass
C <sub>r</sub>	30500 N	Basic dynamic load rating, radial
C <sub>0r</sub>	25000 N	Basic static load rating, radial
f <sub>0</sub>	15,7	
n <sub>G</sub>	15000 1/min	Limiting speed
n <sub>B</sub>	7100 1/min	Reference speed
C <sub>ur</sub>	1270 N	Fatigue limit load, radial

## 6014

Figure 1 , Figure 2

d	70 mm	
D	110 mm	
B	20 mm	
D <sub>1</sub>	97,3 mm	
d <sub>1</sub>	82,8 mm	
D <sub>a max</sub>	104 mm	
d <sub>a min</sub>	76 mm	
r <sub>a max</sub>	1 mm	
r <sub>min</sub>	1,1 mm	
m	0,622 kg	Mass
C <sub>r</sub>	38000 N	Basic dynamic load rating, radial
C <sub>0r</sub>	31000 N	Basic static load rating, radial
f <sub>0</sub>	15,5	
n <sub>G</sub>	14000 1/min	Limiting speed
n <sub>B</sub>	6800 1/min	Reference speed
C <sub>ur</sub>	1850 N	Fatigue limit load, radial

## 6015

Figure 1 , Figure 2

d	75 mm	
D	115 mm	
B	20 mm	
D <sub>1</sub>	102,6 mm	
d <sub>1</sub>	88,1 mm	
D <sub>a max</sub>	109 mm	
d <sub>a min</sub>	81 mm	
r <sub>a max</sub>	1 mm	
r <sub>min</sub>	1,1 mm	
m	0,654 kg	Mass
C <sub>r</sub>	39000 N	Basic dynamic load rating, radial
C <sub>0r</sub>	33500 N	Basic static load rating, radial
f <sub>0</sub>	15,7	
n <sub>G</sub>	13000 1/min	Limiting speed
n <sub>B</sub>	6300 1/min	Reference speed
C <sub>ur</sub>	1960 N	Fatigue limit load, radial

## 6016

Figure 1 , Figure 2

d	80 mm	
D	125 mm	
B	22 mm	
D <sub>1</sub>	111 mm	
d <sub>1</sub>	94 mm	
D <sub>a max</sub>	119 mm	
d <sub>a min</sub>	86 mm	
r <sub>a max</sub>	1 mm	
r <sub>min</sub>	1,1 mm	
m	0,845 kg	Mass
C <sub>r</sub>	47500 N	Basic dynamic load rating, radial
C <sub>0r</sub>	40000 N	Basic static load rating, radial
f <sub>0</sub>	15,6	
n <sub>G</sub>	12000 1/min	Limiting speed
n <sub>B</sub>	6100 1/min	Reference speed
C <sub>ur</sub>	2340 N	Fatigue limit load, radial



## 6017

Figure 1 , Figure 2

d	85 mm	
D	130 mm	
B	22 mm	
D <sub>1</sub>	116 mm	
d <sub>1</sub>	99,6 mm	
D <sub>a max</sub>	124 mm	
d <sub>a min</sub>	91 mm	
r <sub>a max</sub>	1 mm	
r <sub>min</sub>	1,1 mm	
m	0,917 kg	Mass
C <sub>r</sub>	49000 N	Basic dynamic load rating, radial
C <sub>0r</sub>	43000 N	Basic static load rating, radial
f <sub>0</sub>	15,7	
n <sub>G</sub>	11000 1/min	Limiting speed
n <sub>B</sub>	5800 1/min	Reference speed
C <sub>ur</sub>	2430 N	Fatigue limit load, radial

## 6018

Figure 1 , Figure 2

d	90 mm	
D	140 mm	
B	24 mm	
D <sub>1</sub>	123,7 mm	
d <sub>1</sub>	106,6 mm	
D <sub>a max</sub>	133 mm	
d <sub>a min</sub>	97 mm	
r <sub>a max</sub>	1,5 mm	
r <sub>min</sub>	1,5 mm	
m	1,21 kg	Mass
C <sub>r</sub>	58500 N	Basic dynamic load rating, radial
C <sub>0r</sub>	50000 N	Basic static load rating, radial
f <sub>0</sub>	15,6	
n <sub>G</sub>	11000 1/min	Limiting speed
n <sub>B</sub>	5600 1/min	Reference speed
C <sub>ur</sub>	2650 N	Fatigue limit load, radial

## 6019

Figure 1 , Figure 2

d	95 mm	
D	145 mm	
B	24 mm	
D <sub>1</sub>	129 mm	
d <sub>1</sub>	111 mm	
D <sub>a max</sub>	138 mm	
d <sub>a min</sub>	102 mm	
r <sub>a max</sub>	1,5 mm	
r <sub>min</sub>	1,5 mm	
m	1,27 kg	Mass
C <sub>r</sub>	60000 N	Basic dynamic load rating, radial
C <sub>0r</sub>	54000 N	Basic static load rating, radial
f <sub>0</sub>	15,7	
n <sub>G</sub>	10000 1/min	Limiting speed
n <sub>B</sub>	5300 1/min	Reference speed
C <sub>ur</sub>	2800 N	Fatigue limit load, radial

## 6020

Figure 1 , Figure 2

d	100 mm	
D	150 mm	
B	24 mm	
D <sub>1</sub>	134 mm	
d <sub>1</sub>	116,6 mm	
D <sub>a max</sub>	143 mm	
d <sub>a min</sub>	107 mm	
r <sub>a max</sub>	1,5 mm	
r <sub>min</sub>	1,5 mm	
m	1,32 kg	Mass
C <sub>r</sub>	60000 N	Basic dynamic load rating, radial
C <sub>0r</sub>	54000 N	Basic static load rating, radial
f <sub>0</sub>	15,9	
n <sub>G</sub>	9500 1/min	Limiting speed
n <sub>B</sub>	5100 1/min	Reference speed
C <sub>ur</sub>	2700 N	Fatigue limit load, radial

## 6021

Figure 1 , Figure 2

d	105 mm	
D	160 mm	
B	26 mm	
D <sub>1</sub>	142,4 mm	
d <sub>1</sub>	122,1 mm	
D <sub>a max</sub>	151,2 mm	
d <sub>a min</sub>	113,8 mm	
r <sub>a max</sub>	2 mm	
r <sub>min</sub>	2 mm	
m	1,67 kg	Mass
C <sub>r</sub>	71000 N	Basic dynamic load rating, radial
C <sub>0r</sub>	64000 N	Basic static load rating, radial
f <sub>0</sub>	15,8	
n <sub>G</sub>	9000 1/min	Limiting speed
n <sub>B</sub>	5000 1/min	Reference speed
C <sub>ur</sub>	3100 N	Fatigue limit load, radial

## 6022

Figure 1 , Figure 2

d	110 mm	
D	170 mm	
B	28 mm	
D <sub>1</sub>	150,9 mm	
d <sub>1</sub>	129,2 mm	
D <sub>a max</sub>	161,2 mm	
d <sub>a min</sub>	118,8 mm	
r <sub>a max</sub>	2 mm	
r <sub>min</sub>	2 mm	
m	2,06 kg	Mass
C <sub>r</sub>	80000 N	Basic dynamic load rating, radial
C <sub>0r</sub>	71000 N	Basic static load rating, radial
f <sub>0</sub>	15,6	
n <sub>G</sub>	8500 1/min	Limiting speed
n <sub>B</sub>	4850 1/min	Reference speed
C <sub>ur</sub>	3450 N	Fatigue limit load, radial

## 6024

Figure 1 , Figure 2

d	120 mm	
D	180 mm	
B	28 mm	
D <sub>1</sub>	161,2 mm	
d <sub>1</sub>	139,9 mm	
D <sub>a max</sub>	171,2 mm	
d <sub>a min</sub>	128,8 mm	
r <sub>a max</sub>	2 mm	
r <sub>min</sub>	2 mm	
m	2,18 kg	Mass
C <sub>r</sub>	83000 N	Basic dynamic load rating, radial
C <sub>0r</sub>	78000 N	Basic static load rating, radial
f <sub>0</sub>	15,9	
n <sub>G</sub>	8000 1/min	Limiting speed
n <sub>B</sub>	4450 1/min	Reference speed
C <sub>ur</sub>	3550 N	Fatigue limit load, radial

## 6026

Figure 1 , Figure 2

d	130 mm	
D	200 mm	
B	33 mm	
D <sub>1</sub>	177,9 mm	
d <sub>1</sub>	153,3 mm	
D <sub>a max</sub>	191,2 mm	
d <sub>a min</sub>	138,8 mm	
r <sub>a max</sub>	2 mm	
r <sub>min</sub>	2 mm	
m	3,42 kg	Mass
C <sub>r</sub>	106000 N	Basic dynamic load rating, radial
C <sub>0r</sub>	100000 N	Basic static load rating, radial
f <sub>0</sub>	15,7	
n <sub>G</sub>	7000 1/min	Limiting speed
n <sub>B</sub>	4350 1/min	Reference speed
C <sub>ur</sub>	4850 N	Fatigue limit load, radial



## 6028

Figure 1 , Figure 2

d	140 mm	
D	210 mm	
B	33 mm	
D <sub>1</sub>	187,5 mm	
d <sub>1</sub>	162,3 mm	
D <sub>a max</sub>	201,2 mm	
d <sub>a min</sub>	148,8 mm	
r <sub>a max</sub>	2 mm	
r <sub>min</sub>	2 mm	
m	3,57 kg	Mass
C <sub>r</sub>	108000 N	Basic dynamic load rating, radial
C <sub>0r</sub>	108000 N	Basic static load rating, radial
f <sub>0</sub>	16	
n <sub>G</sub>	6700 1/min	Limiting speed
n <sub>B</sub>	4050 1/min	Reference speed
C <sub>ur</sub>	4950 N	Fatigue limit load, radial

## 6030

Figure 1 , Figure 2

d	150 mm	
D	225 mm	
B	35 mm	
D <sub>1</sub>	201,4 mm	
d <sub>1</sub>	174,4 mm	
D <sub>a max</sub>	214,8 mm	
d <sub>a min</sub>	160,2 mm	
r <sub>a max</sub>	2,1 mm	
r <sub>min</sub>	2,1 mm	
m	4,32 kg	Mass
C <sub>r</sub>	122000 N	Basic dynamic load rating, radial
C <sub>0r</sub>	125000 N	Basic static load rating, radial
f <sub>0</sub>	16	
n <sub>G</sub>	6300 1/min	Limiting speed
n <sub>B</sub>	3850 1/min	Reference speed
C <sub>ur</sub>	5400 N	Fatigue limit load, radial

## 6032-M

Figure 1 , Figure 2

d	160 mm	
D	240 mm	
B	38 mm	
D <sub>1</sub>	214,6 mm	
d <sub>1</sub>	186,2 mm	
D <sub>a max</sub>	229,8 mm	
d <sub>a min</sub>	170,2 mm	
r <sub>a max</sub>	2,1 mm	
r <sub>min</sub>	2,1 mm	
m	6,16 kg	Mass
C <sub>r</sub>	134000 N	Basic dynamic load rating, radial
C <sub>0r</sub>	137000 N	Basic static load rating, radial
f <sub>0</sub>	16	
n <sub>G</sub>	6300 1/min	Limiting speed
n <sub>B</sub>	3750 1/min	Reference speed
C <sub>ur</sub>	5800 N	Fatigue limit load, radial

## 6034

Figure 1 , Figure 2

d	170 mm	
D	260 mm	
B	42 mm	
D <sub>1</sub>	231,2 mm	
d <sub>1</sub>	199,4 mm	
D <sub>a max</sub>	249,8 mm	
d <sub>a min</sub>	180,2 mm	
r <sub>a max</sub>	2,1 mm	
r <sub>min</sub>	2,1 mm	
m	7,13 kg	Mass
C <sub>r</sub>	170000 N	Basic dynamic load rating, radial
C <sub>0r</sub>	173000 N	Basic static load rating, radial
f <sub>0</sub>	15,7	
n <sub>G</sub>	5600 1/min	Limiting speed
n <sub>B</sub>	3550 1/min	Reference speed
C <sub>ur</sub>	7400 N	Fatigue limit load, radial

## 6036-M

Figure 1 , Figure 2

d	180 mm	
D	280 mm	
B	46 mm	
D <sub>1</sub>	249,3 mm	
d <sub>1</sub>	211,8 mm	
D <sub>a max</sub>	269,8 mm	
d <sub>a min</sub>	190,2 mm	
r <sub>a max</sub>	2,1 mm	
r <sub>min</sub>	2,1 mm	
m	10,6 kg	Mass
C <sub>r</sub>	190000 N	Basic dynamic load rating, radial
C <sub>0r</sub>	200000 N	Basic static load rating, radial
f <sub>0</sub>	15,6	
n <sub>G</sub>	5600 1/min	Limiting speed
n <sub>B</sub>	3300 1/min	Reference speed
C <sub>ur</sub>	8200 N	Fatigue limit load, radial

## 6038-M

Figure 1 , Figure 2

d	190 mm	
D	290 mm	
B	46 mm	
D <sub>1</sub>	257,9 mm	
d <sub>1</sub>	222,6 mm	
D <sub>a max</sub>	279,8 mm	
d <sub>a min</sub>	200,2 mm	
r <sub>a max</sub>	2,1 mm	
r <sub>min</sub>	2,1 mm	
m	11,3 kg	Mass
C <sub>r</sub>	196000 N	Basic dynamic load rating, radial
C <sub>0r</sub>	212000 N	Basic static load rating, radial
f <sub>0</sub>	15,8	
n <sub>G</sub>	5300 1/min	Limiting speed
n <sub>B</sub>	3150 1/min	Reference speed
C <sub>ur</sub>	8500 N	Fatigue limit load, radial

## 6040-M

Figure 1 , Figure 2

d	200 mm	
D	310 mm	
B	51 mm	
D <sub>1</sub>	276,3 mm	
d <sub>1</sub>	234,8 mm	
D <sub>a max</sub>	299,8 mm	
d <sub>a min</sub>	210,2 mm	
r <sub>a max</sub>	2,1 mm	
r <sub>min</sub>	2,1 mm	
m	14,4 kg	Mass
C <sub>r</sub>	216000 N	Basic dynamic load rating, radial
C <sub>0r</sub>	245000 N	Basic static load rating, radial
f <sub>0</sub>	15,6	
n <sub>G</sub>	4800 1/min	Limiting speed
n <sub>B</sub>	3000 1/min	Reference speed
C <sub>ur</sub>	9600 N	Fatigue limit load, radial

## 6044-M

Figure 1 , Figure 2

d	220 mm	
D	340 mm	
B	56 mm	
D <sub>1</sub>	303,1 mm	
d <sub>1</sub>	258,1 mm	
D <sub>a max</sub>	327,6 mm	
d <sub>a min</sub>	232,4 mm	
r <sub>a max</sub>	2,5 mm	
r <sub>min</sub>	3 mm	
m	18,8 kg	Mass
C <sub>r</sub>	245000 N	Basic dynamic load rating, radial
C <sub>0r</sub>	290000 N	Basic static load rating, radial
f <sub>0</sub>	15,6	
n <sub>G</sub>	4000 1/min	Limiting speed
n <sub>B</sub>	2700 1/min	Reference speed
C <sub>ur</sub>	11100 N	Fatigue limit load, radial



## 6048-M

Figure 1 , Figure 2

d	240 mm	
D	360 mm	
B	56 mm	
D <sub>1</sub>	321,9 mm	
d <sub>1</sub>	278,8 mm	
D <sub>a max</sub>	347,6 mm	
d <sub>a min</sub>	252,4 mm	
r <sub>a max</sub>	2,5 mm	
r <sub>min</sub>	3 mm	
m	20,5 kg	Mass
C <sub>r</sub>	255000 N	Basic dynamic load rating, radial
C <sub>0r</sub>	315000 N	Basic static load rating, radial
f <sub>0</sub>	15,8	
n <sub>G</sub>	3800 1/min	Limiting speed
n <sub>B</sub>	2450 1/min	Reference speed
C <sub>ur</sub>	11400 N	Fatigue limit load, radial

## 6052-M

Figure 1 , Figure 2

d	260 mm	
D	400 mm	
B	65 mm	
D <sub>1</sub>	357 mm	
d <sub>1</sub>	304,6 mm	
D <sub>a max</sub>	385,4 mm	
d <sub>a min</sub>	274,6 mm	
r <sub>a max</sub>	3 mm	
r <sub>min</sub>	4 mm	
m	29,8 kg	Mass
C <sub>r</sub>	300000 N	Basic dynamic load rating, radial
C <sub>0r</sub>	390000 N	Basic static load rating, radial
f <sub>0</sub>	15,7	
n <sub>G</sub>	3400 1/min	Limiting speed
n <sub>B</sub>	2260 1/min	Reference speed
C <sub>ur</sub>	13300 N	Fatigue limit load, radial

## 6056-M

Figure 1 , Figure 2

d	280 mm	
D	420 mm	
B	65 mm	
D <sub>1</sub>	377,5 mm	
d <sub>1</sub>	324,1 mm	
D <sub>a max</sub>	405,4 mm	
d <sub>a min</sub>	294,6 mm	
r <sub>a max</sub>	3 mm	
r <sub>min</sub>	4 mm	
m	31,7 kg	Mass
C <sub>r</sub>	320000 N	Basic dynamic load rating, radial
C <sub>0r</sub>	440000 N	Basic static load rating, radial
f <sub>0</sub>	15,8	
n <sub>G</sub>	3400 1/min	Limiting speed
n <sub>B</sub>	2070 1/min	Reference speed
C <sub>ur</sub>	14400 N	Fatigue limit load, radial

## 6060-M

Figure 1 , Figure 2

d	300 mm	
D	460 mm	
B	74 mm	
D <sub>1</sub>	410,8 mm	
d <sub>1</sub>	350,8 mm	
D <sub>a max</sub>	445,4 mm	
d <sub>a min</sub>	314,6 mm	
r <sub>a max</sub>	3 mm	
r <sub>min</sub>	4 mm	
m	44,5 kg	Mass
C <sub>r</sub>	365000 N	Basic dynamic load rating, radial
C <sub>0r</sub>	510000 N	Basic static load rating, radial
f <sub>0</sub>	15,7	
n <sub>G</sub>	3000 1/min	Limiting speed
n <sub>B</sub>	1930 1/min	Reference speed
C <sub>ur</sub>	16700 N	Fatigue limit load, radial

## 6064-M

Figure 1 , Figure 2

d	320 mm	
D	480 mm	
B	74 mm	
D <sub>1</sub>	430,8 mm	
d <sub>1</sub>	370,9 mm	
D <sub>a max</sub>	465,4 mm	
d <sub>a min</sub>	334,6 mm	
r <sub>a max</sub>	3 mm	
r <sub>min</sub>	4 mm	
m	47,4 kg	Mass
C <sub>r</sub>	380000 N	Basic dynamic load rating, radial
C <sub>0r</sub>	560000 N	Basic static load rating, radial
f <sub>0</sub>	15,9	
n <sub>G</sub>	3000 1/min	Limiting speed
n <sub>B</sub>	1790 1/min	Reference speed
C <sub>ur</sub>	17400 N	Fatigue limit load, radial

## 6068-M

Figure 1 , Figure 2

d	340 mm	
D	520 mm	
B	82 mm	
D <sub>1</sub>	469,6 mm	
d <sub>1</sub>	402,3 mm	
D <sub>a max</sub>	502 mm	
d <sub>a min</sub>	358 mm	
r <sub>a max</sub>	4 mm	
r <sub>min</sub>	5 mm	
m	63,2 kg	Mass
C <sub>r</sub>	440000 N	Basic dynamic load rating, radial
C <sub>0r</sub>	695000 N	Basic static load rating, radial
f <sub>0</sub>	15,8	
n <sub>G</sub>	2800 1/min	Limiting speed
n <sub>B</sub>	1630 1/min	Reference speed
C <sub>ur</sub>	20800 N	Fatigue limit load, radial

## 6072-M

Figure 1 , Figure 2

d	360 mm	
D	540 mm	
B	82 mm	
D <sub>1</sub>	489 mm	
d <sub>1</sub>	423,7 mm	
D <sub>a max</sub>	522 mm	
d <sub>a min</sub>	378 mm	
r <sub>a max</sub>	4 mm	
r <sub>min</sub>	5 mm	
m	66,2 kg	Mass
C <sub>r</sub>	455000 N	Basic dynamic load rating, radial
C <sub>0r</sub>	735000 N	Basic static load rating, radial
f <sub>0</sub>	15,9	
n <sub>G</sub>	2600 1/min	Limiting speed
n <sub>B</sub>	1530 1/min	Reference speed
C <sub>ur</sub>	21500 N	Fatigue limit load, radial