

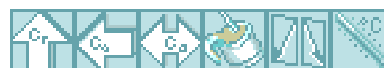
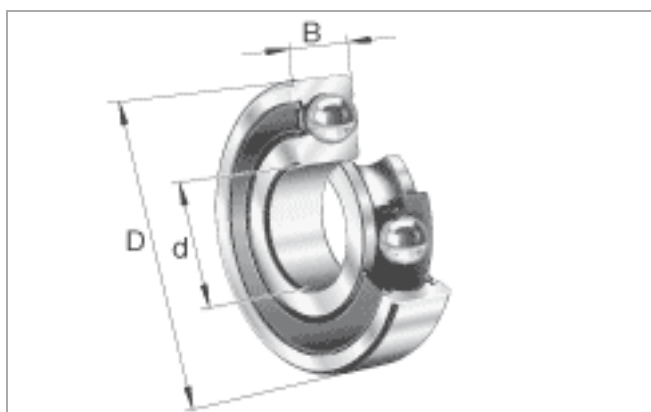


Deep groove ball bearings

63..-2RSR

main dimensions to DIN 625-1, lip seals on both sides

The datasheet is only an overview of dimensions and basic load ratings for the selected series. Please ensure that you note all the guidance in these overview pages. Further information is given on many products under the menu item "Description". You can also request comprehensive information material via Catalogue selection (<http://www.fag.de/content.fag.de/en/services/mediathek/library/library.jsp>), by e-mail (sales_promotion@fag.de) or by telephone +49 (91 32) 82 - 28 97.



	d mm	D mm	B mm	
634-2RSR		4	16	5
635-2RSR		5	19	6
6300-2RSR		10	35	11
6301-2RSR		12	37	12
6302-2RSR		15	42	13
6303-2RSR		17	47	14
6304-2RSR		20	52	15
6305-2RSR		25	62	17
6306-2RSR		30	72	19
6307-2RSR		35	80	21
6308-2RSR		40	90	23
6309-2RSR		45	100	25
6310-2RSR		50	110	27
	d mm	D mm	B mm	

	d mm	D mm	B mm	
6311-2RSR		55	120	29
6312-2RSR		60	130	31
6313-2RSR		65	140	33
6314-2RSR		70	150	35
6315-2RSR		75	160	37
6316-2RSR		80	170	39
6317-2RSR		85	180	41
6318-2RSR		90	190	43
6322-2RSR		110	240	50
	d mm	D mm	B mm	

Figure 1

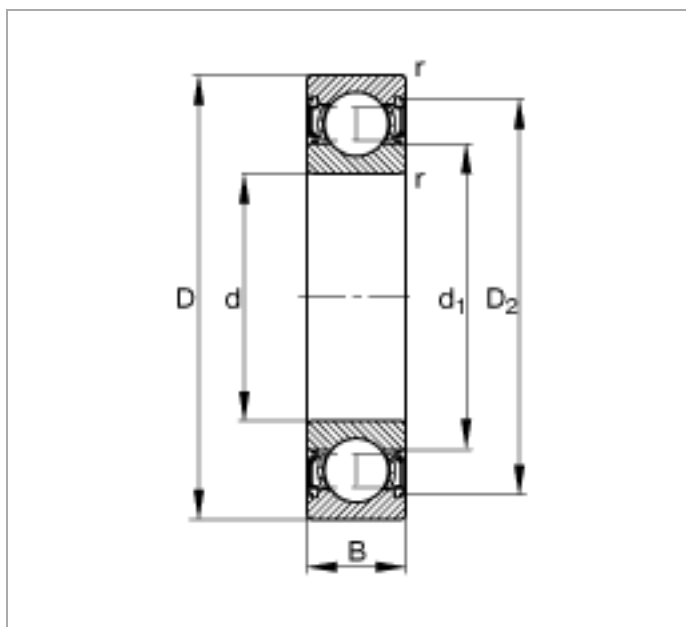
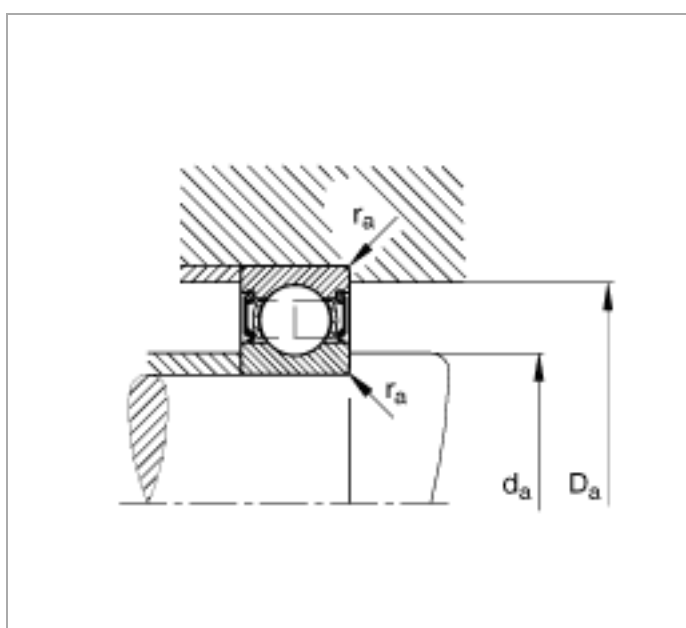


Figure 2



634-2RSR

Figure 1 , Figure 2

d	4 mm	
D	16 mm	
B	5 mm	
d ₁	8,5 mm	
D ₂	13,2 mm	
D _{a max}	13,6 mm	
d _{a min}	6,4 mm	
r _{a max}	0,3 mm	
r _{min}	0,3 mm	
m	0,0060 kg	Mass
C _r	1730 N	Basic dynamic load rating, radial
C _{0r}	670 N	Basic static load rating, radial
n _G	24000 1/min	Limiting speed
n _B	0 1/min	Reference speed
C _{ur}	35,5 N	Fatigue limit load, radial

635-2RSR

Figure 1 , Figure 2

d	5 mm	
D	19 mm	
B	6 mm	
d ₁	10,8 mm	
D ₂	16,7 mm	
D _{a max}	16,6 mm	
d _{a min}	7,4 mm	
r _{a max}	0,3 mm	
r _{min}	0,3 mm	
m	0,0080 kg	Mass
C _r	2600 N	Basic dynamic load rating, radial
C _{0r}	1060 N	Basic static load rating, radial
n _G	22000 1/min	Limiting speed
n _B	0 1/min	Reference speed
C _{ur}	53 N	Fatigue limit load, radial

6300-2RSR

Figure 1 , Figure 2

d	10 mm	
D	35 mm	
B	11 mm	
d ₁	18,1 mm	
D ₂	28,6 mm	
D _{a max}	30,8 mm	
d _{a min}	14,2 mm	
r _{a max}	0,6 mm	
r _{min}	0,6 mm	
m	0,057 kg	Mass
C _r	8150 N	Basic dynamic load rating, radial
C _{0r}	3450 N	Basic static load rating, radial
n _G	15000 1/min	Limiting speed
n _B	0 1/min	Reference speed
C _{ur}	230 N	Fatigue limit load, radial

6301-2RSR

Figure 1 , Figure 2

d	12 mm	
D	37 mm	
B	12 mm	
d ₁	19,5 mm	
D ₂	31,4 mm	
D _{a max}	31,4 mm	
d _{a min}	17,6 mm	
r _{a max}	1 mm	
r _{min}	1 mm	
m	0,064 kg	Mass
C _r	9650 N	Basic dynamic load rating, radial
C _{0r}	4150 N	Basic static load rating, radial
n _G	13000 1/min	Limiting speed
n _B	0 1/min	Reference speed
C _{ur}	280 N	Fatigue limit load, radial

6302-2RSR

Figure 1 , Figure 2

d	15 mm	
D	42 mm	
B	13 mm	
d ₁	23,6 mm	
D ₂	35 mm	
D _{a max}	36,4 mm	
d _{a min}	20,6 mm	
r _{a max}	1 mm	
r _{min}	1 mm	
m	0,09 kg	Mass
C _r	11400 N	Basic dynamic load rating, radial
C _{0r}	5400 N	Basic static load rating, radial
n _G	12000 1/min	Limiting speed
n _B	0 1/min	Reference speed
C _{ur}	350 N	Fatigue limit load, radial

6303-2RSR

Figure 1 , Figure 2

d	17 mm	
D	47 mm	
B	14 mm	
d ₁	26,2 mm	
D ₂	39,3 mm	
D _{a max}	41,4 mm	
d _{a min}	22,6 mm	
r _{a max}	1 mm	
r _{min}	1 mm	
m	0,118 kg	Mass
C _r	13400 N	Basic dynamic load rating, radial
C _{0r}	6550 N	Basic static load rating, radial
n _G	11000 1/min	Limiting speed
n _B	0 1/min	Reference speed
C _{ur}	425 N	Fatigue limit load, radial

6304-2RSR

Figure 1 , Figure 2

d	20 mm	
D	52 mm	
B	15 mm	
d ₁	30,3 mm	
D ₂	44,4 mm	
D _{a max}	45 mm	
d _{a min}	27 mm	
r _{a max}	1 mm	
r _{min}	1,1 mm	
m	0,155 kg	Mass
C _r	16000 N	Basic dynamic load rating, radial
C _{0r}	7800 N	Basic static load rating, radial
n _G	9500 1/min	Limiting speed
n _B	0 1/min	Reference speed
C _{ur}	530 N	Fatigue limit load, radial

6305-2RSR

Figure 1 , Figure 2

d	25 mm	
D	62 mm	
B	17 mm	
d ₁	36,4 mm	
D ₂	52,5 mm	
D _{a max}	55 mm	
d _{a min}	32 mm	
r _{a max}	1 mm	
r _{min}	1,1 mm	
m	0,242 kg	Mass
C _r	22400 N	Basic dynamic load rating, radial
C _{0r}	11400 N	Basic static load rating, radial
n _G	7500 1/min	Limiting speed
n _B	0 1/min	Reference speed
C _{ur}	750 N	Fatigue limit load, radial

6306-2RSR

Figure 1 , Figure 2

d	30 mm	
D	72 mm	
B	19 mm	
d ₁	44,6 mm	
D ₂	61,6 mm	
D _{a max}	65 mm	
d _{a min}	37 mm	
r _{a max}	1 mm	
r _{min}	1,1 mm	
m	0,365 kg	Mass
C _r	29000 N	Basic dynamic load rating, radial
C _{0r}	16300 N	Basic static load rating, radial
n _G	6300 1/min	Limiting speed
n _B	0 1/min	Reference speed
C _{ur}	1020 N	Fatigue limit load, radial

6307-2RSR

Figure 1 , Figure 2

d	35 mm	
D	80 mm	
B	21 mm	
d ₁	49,3 mm	
D ₂	67,6 mm	
D _{a max}	71 mm	
d _{a min}	44 mm	
r _{a max}	1,5 mm	
r _{min}	1,5 mm	
m	0,483 kg	Mass
C _r	33500 N	Basic dynamic load rating, radial
C _{0r}	19000 N	Basic static load rating, radial
n _G	5600 1/min	Limiting speed
n _B	0 1/min	Reference speed
C _{ur}	1250 N	Fatigue limit load, radial

6308-2RSR

Figure 1 , Figure 2

d	40 mm	
D	90 mm	
B	23 mm	
d ₁	55,6 mm	
D ₂	76,5 mm	
D _{a max}	81 mm	
d _{a min}	49 mm	
r _{a max}	1,5 mm	
r _{min}	1,5 mm	
m	0,654 kg	Mass
C _r	42500 N	Basic dynamic load rating, radial
C _{0r}	25000 N	Basic static load rating, radial
n _G	5000 1/min	Limiting speed
n _B	0 1/min	Reference speed
C _{ur}	1640 N	Fatigue limit load, radial

6309-2RSR

Figure 1 , Figure 2

d	45 mm	
D	100 mm	
B	25 mm	
d ₁	62 mm	
D ₂	85,6 mm	
D _{a max}	91 mm	
d _{a min}	54 mm	
r _{a max}	1,5 mm	
r _{min}	1,5 mm	
m	0,867 kg	Mass
C _r	53000 N	Basic dynamic load rating, radial
C _{0r}	31500 N	Basic static load rating, radial
n _G	4500 1/min	Limiting speed
n _B	0 1/min	Reference speed
C _{ur}	2180 N	Fatigue limit load, radial

6310-2RSR

Figure 1 , Figure 2

d	50 mm	
D	110 mm	
B	27 mm	
d ₁	68 mm	
D ₂	95,1 mm	
D _{a max}	99 mm	
d _{a min}	61 mm	
r _{a max}	2 mm	
r _{min}	2 mm	
m	1,12 kg	Mass
C _r	62000 N	Basic dynamic load rating, radial
C _{0r}	38000 N	Basic static load rating, radial
n _G	4000 1/min	Limiting speed
n _B	0 1/min	Reference speed
C _{ur}	2600 N	Fatigue limit load, radial

6311-2RSR

Figure 1 , Figure 2

d	55 mm	
D	120 mm	
B	29 mm	
d ₁	75,2 mm	
D ₂	104,3 mm	
D _{a max}	109 mm	
d _{a min}	66 mm	
r _{a max}	2 mm	
r _{min}	2 mm	
m	1,43 kg	Mass
C _r	76500 N	Basic dynamic load rating, radial
C _{0r}	47500 N	Basic static load rating, radial
n _G	3600 1/min	Limiting speed
n _B	0 1/min	Reference speed
C _{ur}	3050 N	Fatigue limit load, radial

6312-2RSR

Figure 1 , Figure 2

d	60 mm	
D	130 mm	
B	31 mm	
d ₁	81,3 mm	
D ₂	113,1 mm	
D _{a max}	118 mm	
d _{a min}	72 mm	
r _{a max}	2,1 mm	
r _{min}	2,1 mm	
m	1,79 kg	Mass
C _r	81500 N	Basic dynamic load rating, radial
C _{0r}	52000 N	Basic static load rating, radial
n _G	3400 1/min	Limiting speed
n _B	0 1/min	Reference speed
C _{ur}	3400 N	Fatigue limit load, radial

6313-2RSR

Figure 1 , Figure 2

d	65 mm	
D	140 mm	
B	33 mm	
d ₁	88,3 mm	
D ₂	122,2 mm	
D _{a max}	128 mm	
d _{a min}	77 mm	
r _{a max}	2,1 mm	
r _{min}	2,1 mm	
m	2,18 kg	Mass
C _r	93000 N	Basic dynamic load rating, radial
C _{0r}	60000 N	Basic static load rating, radial
n _G	3000 1/min	Limiting speed
n _B	0 1/min	Reference speed
C _{ur}	3950 N	Fatigue limit load, radial

6314-2RSR

Figure 1 , Figure 2

d	70 mm	
D	150 mm	
B	35 mm	
d ₁	94,8 mm	
D ₂	130,2 mm	
D _{a max}	138 mm	
d _{a min}	82 mm	
r _{a max}	2,1 mm	
r _{min}	2,1 mm	
m	2,6 kg	Mass
C _r	104000 N	Basic dynamic load rating, radial
C _{0r}	68000 N	Basic static load rating, radial
n _G	2800 1/min	Limiting speed
n _B	0 1/min	Reference speed
C _{ur}	4450 N	Fatigue limit load, radial

6315-2RSR

Figure 1 , Figure 2

d	75 mm	
D	160 mm	
B	37 mm	
d ₁	101,4 mm	
D ₂	137,2 mm	
D _{a max}	148 mm	
d _{a min}	87 mm	
r _{a max}	2,1 mm	
r _{min}	2,1 mm	
m	3,22 kg	Mass
C _r	114000 N	Basic dynamic load rating, radial
C _{0r}	76500 N	Basic static load rating, radial
n _G	2600 1/min	Limiting speed
n _B	0 1/min	Reference speed
C _{ur}	4650 N	Fatigue limit load, radial

6316-2RSR

Figure 1 , Figure 2

d	80 mm	
D	170 mm	
B	39 mm	
d ₁	108,2 mm	
D ₂	145,5 mm	
D _{a max}	158 mm	
d _{a min}	92 mm	
r _{a max}	2,1 mm	
r _{min}	2,1 mm	
m	3,82 kg	Mass
C _r	122000 N	Basic dynamic load rating, radial
C _{0r}	86500 N	Basic static load rating, radial
n _G	2600 1/min	Limiting speed
n _B	0 1/min	Reference speed
C _{ur}	5200 N	Fatigue limit load, radial

6317-2RSR

Figure 1 , Figure 2

d	85 mm	
D	180 mm	
B	41 mm	
d ₁	114 mm	
D ₂	154,9 mm	
D _{a max}	166 mm	
d _{a min}	99 mm	
r _{a max}	2,5 mm	
r _{min}	3 mm	
m	4,33 kg	Mass
C _r	132000 N	Basic dynamic load rating, radial
C _{0r}	96500 N	Basic static load rating, radial
n _G	2400 1/min	Limiting speed
n _B	0 1/min	Reference speed
C _{ur}	5800 N	Fatigue limit load, radial

6318-2RSR

Figure 1 , Figure 2

d	90 mm	
D	190 mm	
B	43 mm	
d ₁	123,3 mm	
D ₂	160,7 mm	
D _{a max}	176 mm	
d _{a min}	104 mm	
r _{a max}	2,5 mm	
r _{min}	3 mm	
m	5,52 kg	Mass
C _r	134000 N	Basic dynamic load rating, radial
C _{0r}	102000 N	Basic static load rating, radial
n _G	2200 1/min	Limiting speed
n _B	0 1/min	Reference speed
C _{ur}	5800 N	Fatigue limit load, radial

6322-2RSR

Figure 1 , Figure 2

d	110 mm	
D	240 mm	
B	50 mm	
d ₁	152,9 mm	
D ₂	203,1 mm	
D _{a max}	226 mm	
d _{a min}	124 mm	
r _{a max}	2,5 mm	
r _{min}	3 mm	
m	10,5 kg	Mass
C _r	190000 N	Basic dynamic load rating, radial
C _{0r}	166000 N	Basic static load rating, radial
n _G	1800 1/min	Limiting speed
n _B	0 1/min	Reference speed
C _{ur}	8600 N	Fatigue limit load, radial