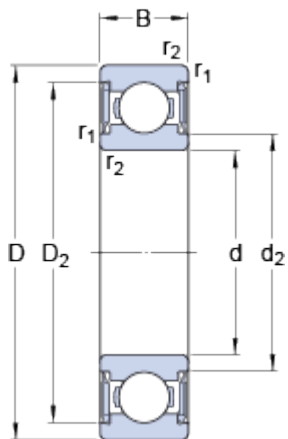


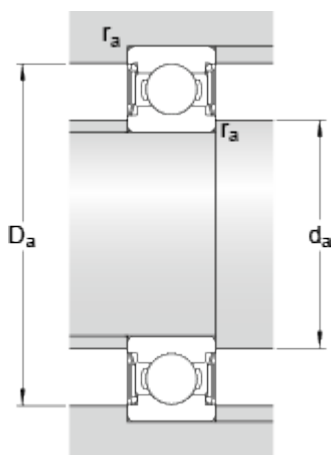
W 6210-2RS1

Dimensions



d	50	mm
D	90	mm
B	20	mm
d_2	≈ 60	mm
D_2	≈ 82.15	mm
$r_{1,2}$	min. 1.1	mm

Abutment dimensions



d_a	min. 55	mm
d_a	max. 59.5	mm
D_a	max. 83.5	mm
r_a	max. 1	mm

Calculation data

Basic dynamic load rating	C	30.2	kN
Basic static load rating	C_0	23.2	kN
Fatigue load limit	P_u	0.98	kN
Reference speed		0	r/min
Limiting speed		4800	r/min
Calculation factor	k_r	0.03	
Calculation factor	f_0	14.4	

Mass

Mass bearing	0.45	kg
--------------	------	----