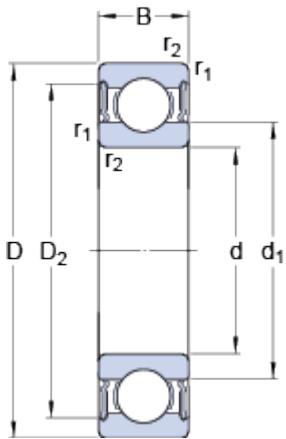


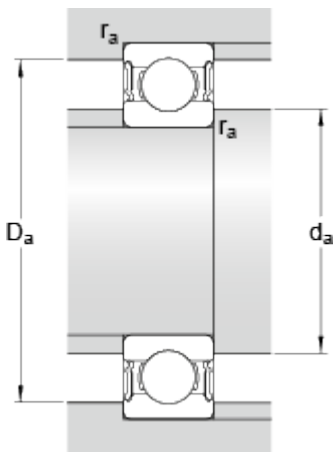
W 6010-2RS1

Dimensions



d	50	mm
D	80	mm
B	16	mm
d ₁	≈ 60	mm
D ₂	≈ 74.55	mm
r _{1,2}	min. 1	mm

Abutment dimensions



d _a	min. 55	mm
d _a	max. 59.5	mm
D _a	max. 75.5	mm
r _a	max. 1	mm

Calculation data

Basic dynamic load rating	C	19	kN
Basic static load rating	C ₀	16.6	kN
Fatigue load limit	P _u	0.71	kN
Reference speed		0	r/min
Limiting speed		5000	r/min
Calculation factor	k _r	0.03	
Calculation factor	f ₀	15.6	

Mass

Mass bearing	0.26	kg
--------------	------	----