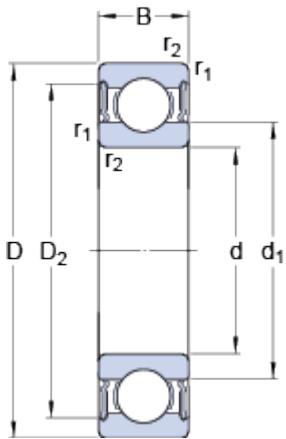


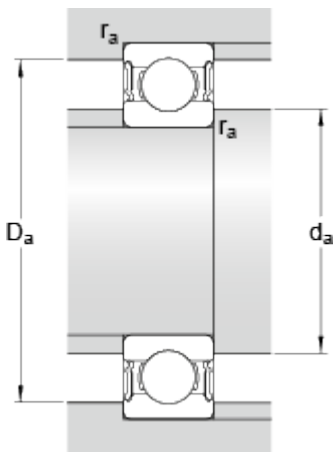
W 6009-2RS1

Dimensions



d	45	mm
D	75	mm
B	16	mm
d ₁	≈ 54.5	mm
D ₂	≈ 69	mm
r _{1,2}	min. 1	mm

Abutment dimensions



d _a	min. 50	mm
d _a	max. 54	mm
D _a	max. 70	mm
r _a	max. 1	mm

Calculation data

Basic dynamic load rating	C	18.2	kN
Basic static load rating	C ₀	15	kN
Fatigue load limit	P _u	0.64	kN
Reference speed		0	r/min
Limiting speed		5600	r/min
Calculation factor	k _r	0.03	
Calculation factor	f ₀	15.3	

Mass

Mass bearing	0.24	kg
--------------	------	----