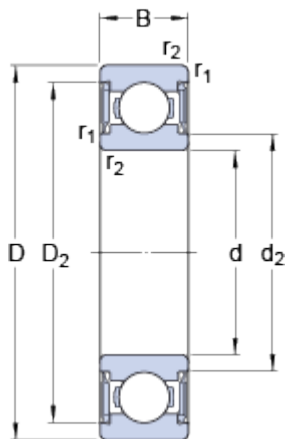


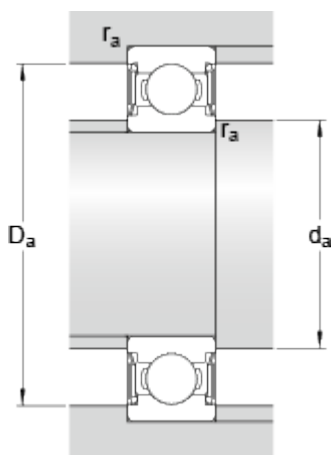
W 6209-2RS1

Dimensions



d	45	mm
D	85	mm
B	19	mm
d_2	≈ 53.5	mm
D_2	≈ 76.35	mm
$r_{1,2}$	min. 1.1	mm

Abutment dimensions



d_a	min. 51.5	mm
d_a	max. 53.5	mm
D_a	max. 78.5	mm
r_a	max. 1	mm

Calculation data

Basic dynamic load rating	C	28.1	kN
Basic static load rating	C_0	20.4	kN
Fatigue load limit	P_u	0.865	kN
Reference speed		0	r/min
Limiting speed		5000	r/min
Calculation factor	k_r	0.03	
Calculation factor	f_0	14.1	

Mass

Mass bearing	0.39	kg
--------------	------	----