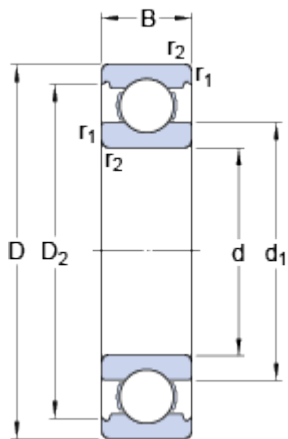


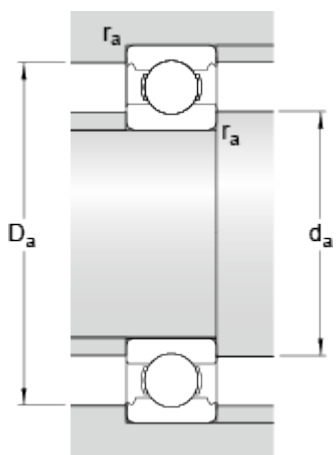
# W 6306

## Dimensions



d	30	mm
D	72	mm
B	19	mm
d <sub>1</sub>	≈ 44.9	mm
D <sub>2</sub>	≈ 62.35	mm
r <sub>1,2</sub>	min. 1.1	mm

## Abutment dimensions



d <sub>a</sub>	min. 36.5	mm
d <sub>a</sub>	max. 44.5	mm
D <sub>a</sub>	max. 65.5	mm
r <sub>a</sub>	max. 1	mm

## Calculation data

Basic dynamic load rating	C	22.9	kN
Basic static load rating	C <sub>0</sub>	15	kN
Fatigue load limit	P <sub>u</sub>	0.64	kN
Reference speed		22000	r/min
Limiting speed		14000	r/min
Calculation factor	k <sub>r</sub>	0.035	
Calculation factor	f <sub>0</sub>	13.3	

## Mass

Mass bearing	0.33	kg
--------------	------	----