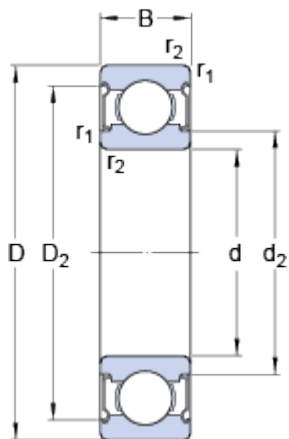


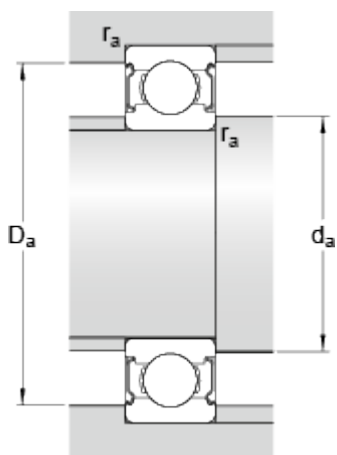
W 6208-2Z

Dimensions



d	40	mm
D	80	mm
B	18	mm
d ₂	≈ 50.1	mm
D ₂	≈ 70.78	mm
r _{1,2}	min. 1.1	mm

Abutment dimensions



d _a	min. 46.5	mm
d _a	max. 50	mm
D _a	max. 73.5	mm
r _a	max. 1	mm

Calculation data

Basic dynamic load rating	C	25.1	kN
Basic static load rating	C ₀	17.6	kN
Fatigue load limit	P _u	0.75	kN
Reference speed		20000	r/min
Limiting speed		10000	r/min
Calculation factor	k _r	0.03	
Calculation factor	f ₀	14	

Mass

Mass bearing	0.36	kg
--------------	------	----