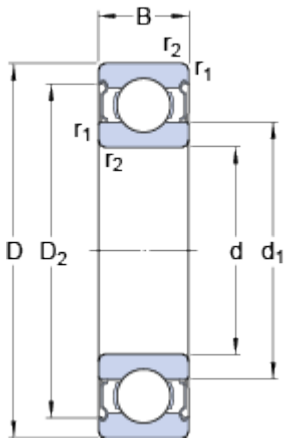


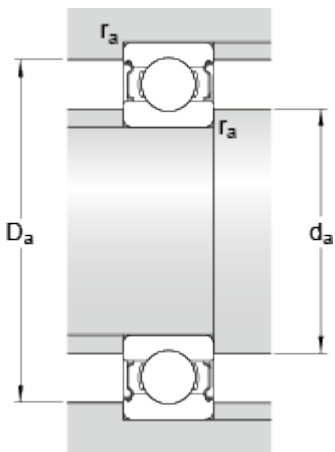
W 6008-2Z

Dimensions



d	40	mm
D	68	mm
B	15	mm
d ₁	≈ 49.2	mm
D ₂	≈ 62.5	mm
r _{1,2}	min. 1	mm

Abutment dimensions



d _a	min. 45	mm
d _a	max. 49	mm
D _a	max. 63.5	mm
r _a	max. 1	mm

Calculation data

Basic dynamic load rating	C	14.6	kN
Basic static load rating	C ₀	11.4	kN
Fatigue load limit	P _u	0.49	kN
Reference speed		22000	r/min
Limiting speed		11000	r/min
Calculation factor	k _r	0.03	
Calculation factor	f ₀	15.2	

Mass

Mass bearing	0.18	kg
--------------	------	----