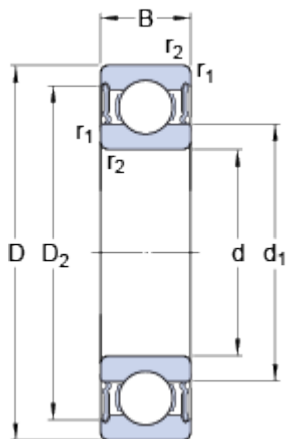


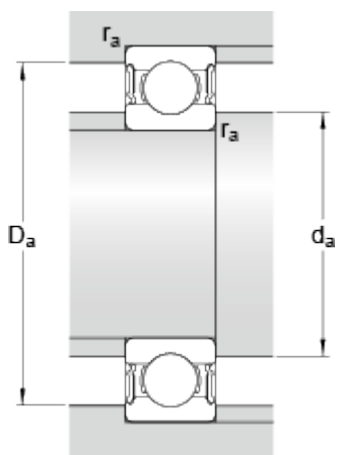
# W 6008-2RS1

## Dimensions



d	40	mm
D	68	mm
B	15	mm
d <sub>1</sub>	≈ 49.2	mm
D <sub>2</sub>	≈ 62.5	mm
r <sub>1,2</sub>	min. 1	mm

## Abutment dimensions



d <sub>a</sub>	min. 45	mm
d <sub>a</sub>	max. 49	mm
D <sub>a</sub>	max. 63.5	mm
r <sub>a</sub>	max. 1	mm

## Calculation data

Basic dynamic load rating	C	14.6	kN
Basic static load rating	C <sub>0</sub>	11.4	kN
Fatigue load limit	P <sub>u</sub>	0.49	kN
Reference speed		0	r/min
Limiting speed		6300	r/min
Calculation factor	k <sub>r</sub>	0.03	
Calculation factor	f <sub>0</sub>	15.2	

## Mass

Mass bearing	0.18	kg
--------------	------	----