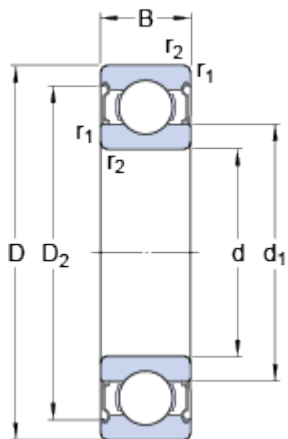


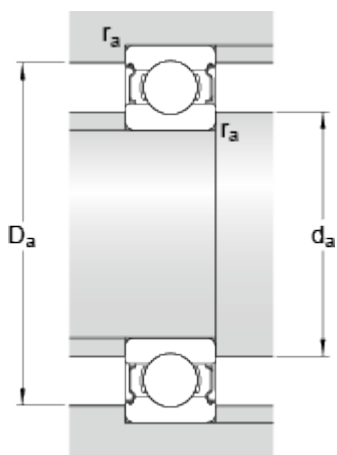
W 6207-2Z

Dimensions



d	35	mm
D	72	mm
B	17	mm
d ₁	≈ 47.6	mm
D ₂	≈ 64.83	mm
r _{1,2}	min. 1.1	mm

Abutment dimensions



d _a	min. 41.5	mm
d _a	max. 46.5	mm
D _a	max. 65.5	mm
r _a	max. 1	mm

Calculation data

Basic dynamic load rating	C	22.1	kN
Basic static load rating	C ₀	15.3	kN
Fatigue load limit	P _u	0.655	kN
Reference speed		22000	r/min
Limiting speed		11000	r/min
Calculation factor	k _r	0.03	
Calculation factor	f ₀	13.9	

Mass

Mass bearing	0.28	kg
--------------	------	----