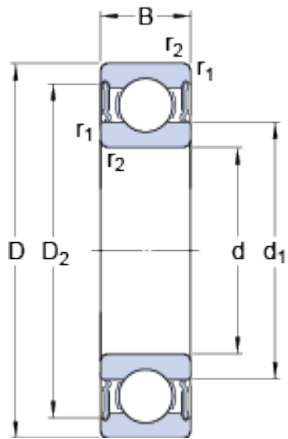


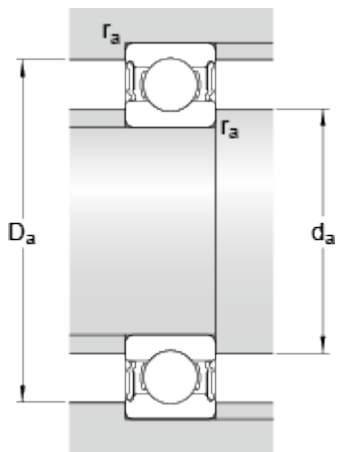
# W 6207-2RS1

## Dimensions



$d$	35	mm
$D$	72	mm
$B$	17	mm
$d_1$	≈ 47.6	mm
$D_2$	≈ 64.83	mm
$r_{1,2}$	min. 1.1	mm

## Abutment dimensions



$d_a$	min. 41.5	mm
$d_a$	max. 46.5	mm
$D_a$	max. 65.5	mm
$r_a$	max. 1	mm

## Calculation data

Basic dynamic load rating	$C$	22.1	kN
Basic static load rating	$C_0$	15.3	kN
Fatigue load limit	$P_u$	0.655	kN
Reference speed		0	r/min
Limiting speed		6000	r/min
Calculation factor	$k_r$	0.03	
Calculation factor	$f_0$	13.9	

## Mass

Mass bearing	0.28	kg
--------------	------	----