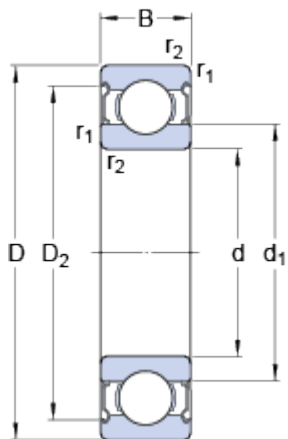


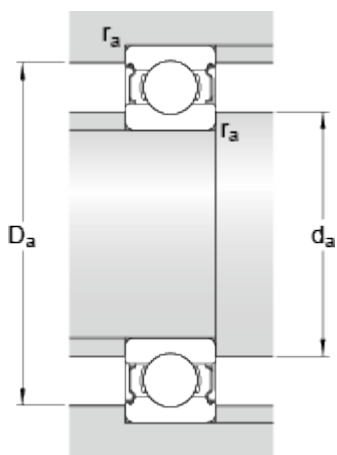
W 6305-2Z

Dimensions



d	25	mm
D	62	mm
B	17	mm
d ₁	≈ 38.1	mm
D ₂	≈ 53.22	mm
r _{1,2}	min. 1.1	mm

Abutment dimensions



d _a	min. 31.5	mm
d _a	max. 38	mm
D _a	max. 55.5	mm
r _a	max. 1	mm

Calculation data

Basic dynamic load rating	C	17.8	kN
Basic static load rating	C ₀	11.2	kN
Fatigue load limit	P _u	0.48	kN
Reference speed		26000	r/min
Limiting speed		13000	r/min
Calculation factor	k _r	0.035	
Calculation factor	f ₀	13.2	

Mass

Mass bearing	0.23	kg
--------------	------	----