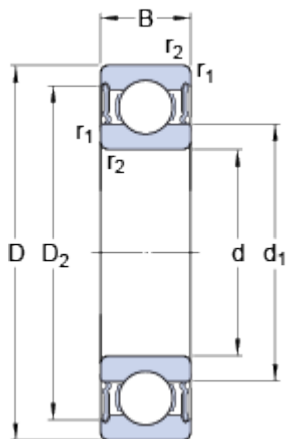


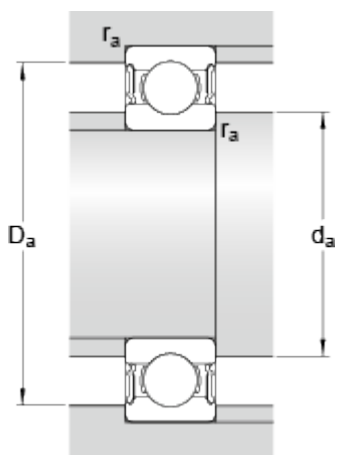
# W 6305-2RS1

## Dimensions



d	25	mm
D	62	mm
B	17	mm
d <sub>1</sub>	≈ 38.1	mm
D <sub>2</sub>	≈ 53.22	mm
r <sub>1,2</sub>	min. 1.1	mm

## Abutment dimensions



d <sub>a</sub>	min. 31.5	mm
d <sub>a</sub>	max. 38	mm
D <sub>a</sub>	max. 55.5	mm
r <sub>a</sub>	max. 1	mm

## Calculation data

Basic dynamic load rating	C	17.8	kN
Basic static load rating	C <sub>0</sub>	11.2	kN
Fatigue load limit	P <sub>u</sub>	0.48	kN
Reference speed		0	r/min
Limiting speed		7500	r/min
Calculation factor	k <sub>r</sub>	0.035	
Calculation factor	f <sub>0</sub>	13.2	

## Mass

Mass bearing	0.23	kg
--------------	------	----