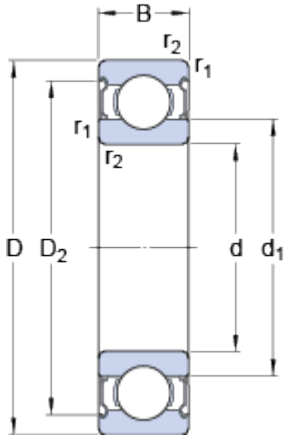


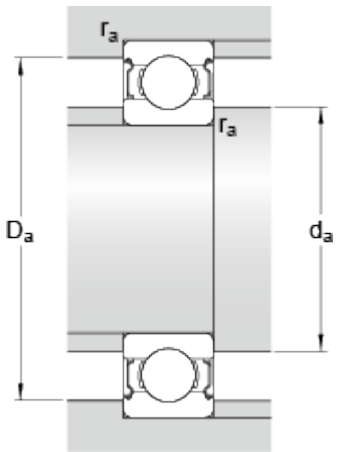
W 6007-2Z

Dimensions



| | | |
|------------------|---------|----|
| d | 35 | mm |
| D | 62 | mm |
| B | 14 | mm |
| d ₁ | ≈ 44 | mm |
| D ₂ | ≈ 57.05 | mm |
| r _{1,2} | min. 1 | mm |

Abutment dimensions



| | | |
|----------------|-----------|----|
| d _a | min. 40 | mm |
| d _a | max. 43.5 | mm |
| D _a | max. 57.5 | mm |
| r _a | max. 1 | mm |

Calculation data

| | | | |
|---------------------------|----------------|-------|-------|
| Basic dynamic load rating | C | 13.8 | kN |
| Basic static load rating | C ₀ | 10.2 | kN |
| Fatigue load limit | P _u | 0.44 | kN |
| Reference speed | | 24000 | r/min |
| Limiting speed | | 12000 | r/min |
| Calculation factor | k _r | 0.03 | |
| Calculation factor | f ₀ | 14.9 | |

Mass

| | | |
|--------------|------|----|
| Mass bearing | 0.15 | kg |
|--------------|------|----|