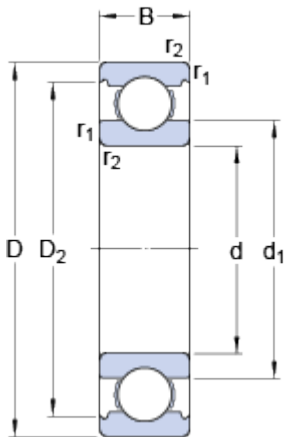


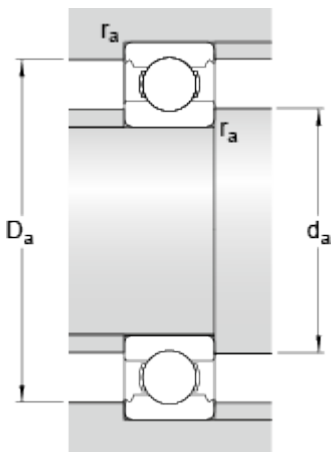
W 6304

Dimensions



d	20	mm
D	52	mm
B	15	mm
d ₁	≈ 30	mm
D ₂	≈ 45.4	mm
r _{1,2}	min. 1.1	mm

Abutment dimensions



d _a	min. 26.5	mm
d _a	max. 29.5	mm
D _a	max. 46	mm
r _a	max. 1	mm

Calculation data

Basic dynamic load rating	C	13.8	kN
Basic static load rating	C ₀	7.8	kN
Fatigue load limit	P _u	0.335	kN
Reference speed		34000	r/min
Limiting speed		20000	r/min
Calculation factor	k _r	0.035	
Calculation factor	f ₀	12.3	

Mass

Mass bearing	0.14	kg
--------------	------	----