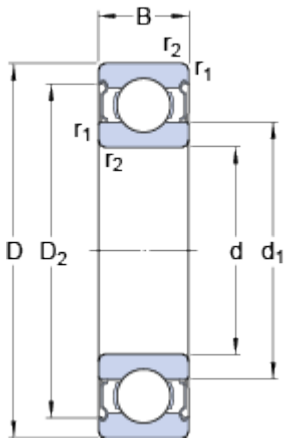


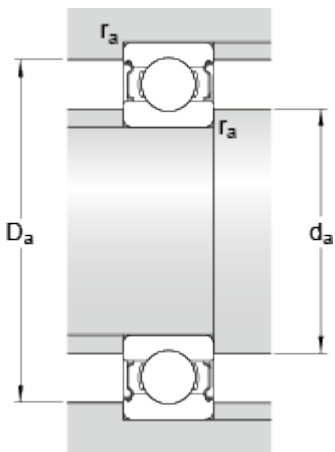
W 6206-2Z

Dimensions



d	30	mm
D	62	mm
B	16	mm
d ₁	≈ 40.7	mm
D ₂	≈ 55.13	mm
r _{1,2}	min. 1	mm

Abutment dimensions



d _a	min. 35	mm
d _a	max. 40.5	mm
D _a	max. 57	mm
r _a	max. 1	mm

Calculation data

Basic dynamic load rating	C	16.5	kN
Basic static load rating	C ₀	11.2	kN
Fatigue load limit	P _u	0.48	kN
Reference speed		26000	r/min
Limiting speed		13000	r/min
Calculation factor	k _r	0.03	
Calculation factor	f ₀	13.9	

Mass

Mass bearing	0.2	kg
--------------	-----	----