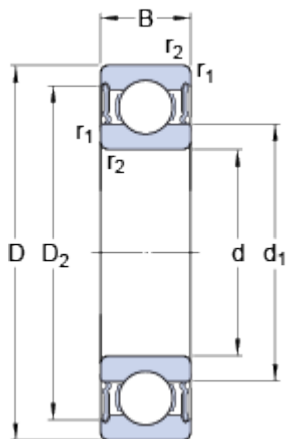


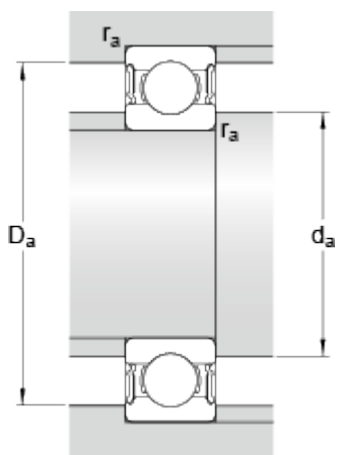
# W 6206-2RS1

## Dimensions



d	30	mm
D	62	mm
B	16	mm
d <sub>1</sub>	≈ 40.7	mm
D <sub>2</sub>	≈ 55.13	mm
r <sub>1,2</sub>	min. 1	mm

## Abutment dimensions



d <sub>a</sub>	min. 35	mm
d <sub>a</sub>	max. 40.5	mm
D <sub>a</sub>	max. 57	mm
r <sub>a</sub>	max. 1	mm

## Calculation data

Basic dynamic load rating	C	16.5	kN
Basic static load rating	C <sub>0</sub>	11.2	kN
Fatigue load limit	P <sub>u</sub>	0.48	kN
Reference speed		0	r/min
Limiting speed		7000	r/min
Calculation factor	k <sub>r</sub>	0.03	
Calculation factor	f <sub>0</sub>	13.9	

## Mass

Mass bearing	0.2	kg
--------------	-----	----