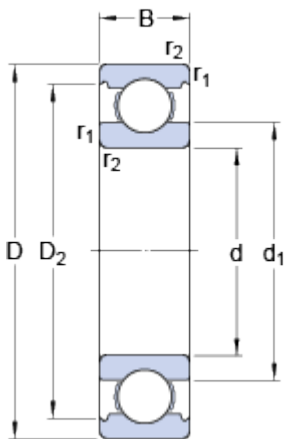


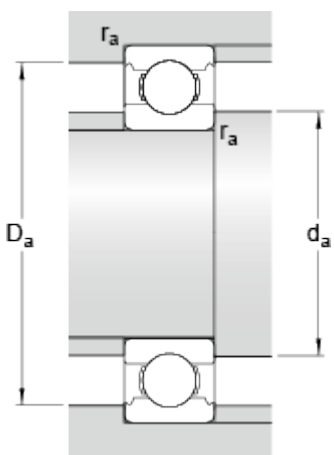
W 6206

Dimensions



d	30	mm
D	62	mm
B	16	mm
d_1	≈ 40.7	mm
D_2	≈ 55.13	mm
$r_{1,2}$	min. 1	mm

Abutment dimensions



d_a	min. 35	mm
d_a	max. 40.5	mm
D_a	max. 57	mm
r_a	max. 1	mm

Calculation data

Basic dynamic load rating	C	16.5	kN
Basic static load rating	C_0	11.2	kN
Fatigue load limit	P_u	0.48	kN
Reference speed		26000	r/min
Limiting speed		16000	r/min
Calculation factor	k_r	0.03	
Calculation factor	f_0	13.9	

Mass

Mass bearing	0.19	kg
--------------	------	----