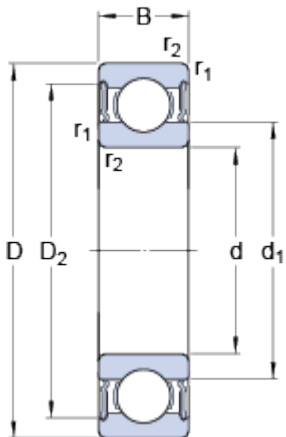


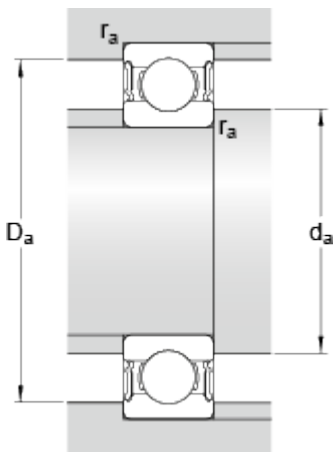
W 6303-2RS1

Dimensions



d	17	mm
D	47	mm
B	14	mm
d ₁	≈ 27.5	mm
D ₂	≈ 41.1	mm
r _{1,2}	min. 1	mm

Abutment dimensions



d _a	min. 22	mm
d _a	max. 27	mm
D _a	max. 42	mm
r _a	max. 1	mm

Calculation data

Basic dynamic load rating	C	11.7	kN
Basic static load rating	C ₀	6.55	kN
Fatigue load limit	P _u	0.28	kN
Reference speed		0	r/min
Limiting speed		10000	r/min
Calculation factor	k _r	0.035	
Calculation factor	f ₀	12.4	

Mass

Mass bearing	0.11	kg
--------------	------	----