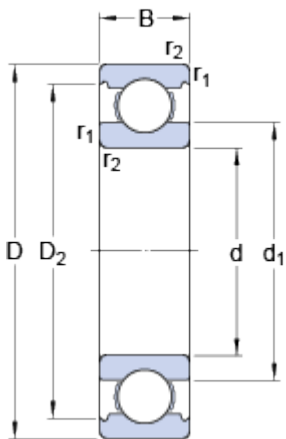


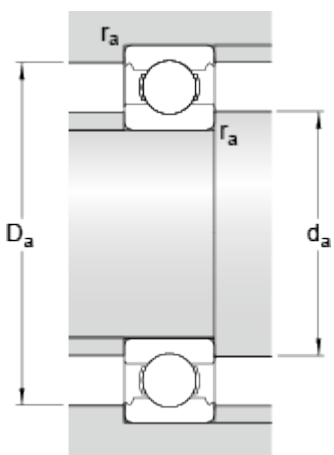
W 6303

Dimensions



d	17	mm
D	47	mm
B	14	mm
d_1	≈ 27.5	mm
D_2	≈ 41.1	mm
$r_{1,2}$	min. 1	mm

Abutment dimensions



d_a	min. 22	mm
d_a	max. 27	mm
D_a	max. 42	mm
r_a	max. 1	mm

Calculation data

Basic dynamic load rating	C	11.7	kN
Basic static load rating	C_0	6.55	kN
Fatigue load limit	P_u	0.28	kN
Reference speed		36000	r/min
Limiting speed		22000	r/min
Calculation factor	k_r	0.035	
Calculation factor	f_0	12.4	

Mass

Mass bearing	0.11	kg
--------------	------	----