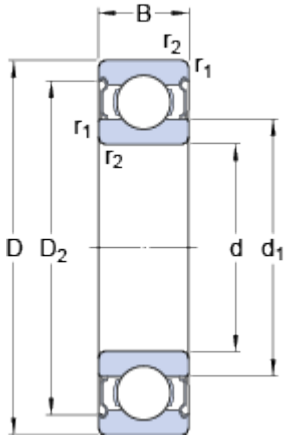


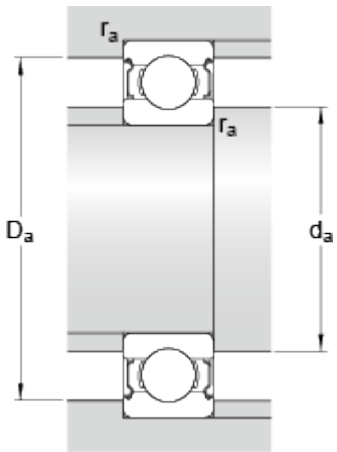
W 6006-2Z

Dimensions



d	30	mm
D	55	mm
B	13	mm
d ₁	≈ 38	mm
D ₂	≈ 49.95	mm
r _{1,2}	min. 1	mm

Abutment dimensions



d _a	min. 35	mm
d _a	max. 37.5	mm
D _a	max. 50.5	mm
r _a	max. 1	mm

Calculation data

Basic dynamic load rating	C	11.4	kN
Basic static load rating	C ₀	8.15	kN
Fatigue load limit	P _u	0.355	kN
Reference speed		28000	r/min
Limiting speed		14000	r/min
Calculation factor	k _r	0.03	
Calculation factor	f ₀	14.7	

Mass

Mass bearing	0.11	kg
--------------	------	----