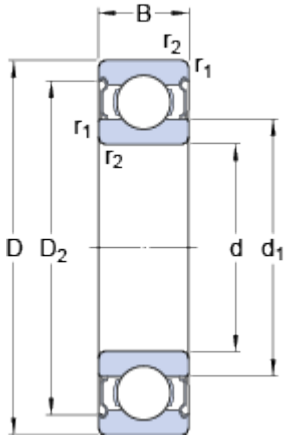


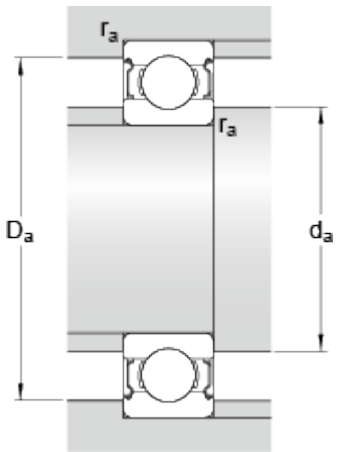
W 6005-2Z

Dimensions



d	25	mm
D	47	mm
B	12	mm
d ₁	≈ 31.7	mm
D ₂	≈ 42.73	mm
r _{1,2}	min. 0.6	mm

Abutment dimensions



d _a	min. 29	mm
d _a	max. 31.5	mm
D _a	max. 44.5	mm
r _a	max. 0.6	mm

Calculation data

Basic dynamic load rating	C	8.71	kN
Basic static load rating	C ₀	5.85	kN
Fatigue load limit	P _u	0.25	kN
Reference speed		32000	r/min
Limiting speed		16000	r/min
Calculation factor	k _r	0.03	
Calculation factor	f ₀	14.5	

Mass

Mass bearing	0.077	kg
--------------	-------	----