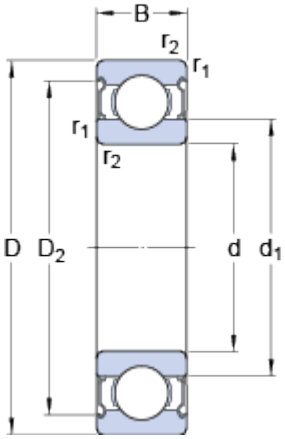


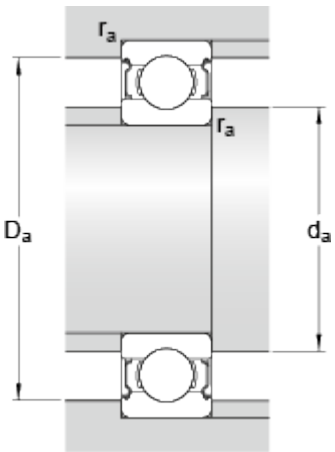
W 6205-2Z

Dimensions



d	25	mm
D	52	mm
B	15	mm
d_1	≈ 34	mm
D_2	≈ 45.72	mm
$r_{1,2}$	min. 1	mm

Abutment dimensions



d_a	min. 30	mm
d_a	max. 33.5	mm
D_a	max. 47	mm
r_a	max. 1	mm

Calculation data

Basic dynamic load rating	C	11.7	kN
Basic static load rating	C_0	7.65	kN
Fatigue load limit	P_u	0.335	kN
Reference speed		30000	r/min
Limiting speed		15000	r/min
Calculation factor	k_r	0.03	
Calculation factor	f_0	13.8	

Mass

Mass bearing	0.13	kg
--------------	------	----