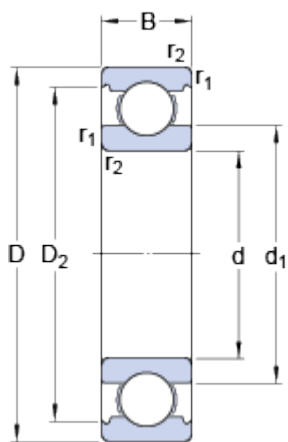


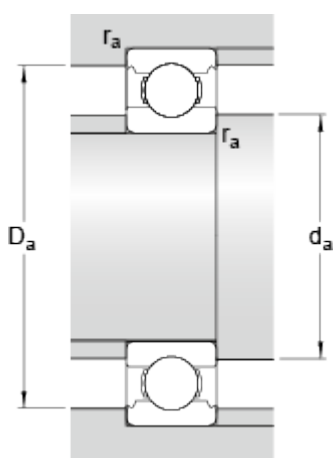
W 6205

Dimensions



d	25	mm
D	52	mm
B	15	mm
d ₁	≈ 34	mm
D ₂	≈ 45.72	mm
r _{1,2}	min. 1	mm

Abutment dimensions



d _a	min. 30	mm
d _a	max. 33.5	mm
D _a	max. 47	mm
r _a	max. 1	mm

Calculation data

Basic dynamic load rating	C	11.7	kN
Basic static load rating	C ₀	7.65	kN
Fatigue load limit	P _u	0.335	kN
Reference speed		30000	r/min
Limiting speed		19000	r/min
Calculation factor	k _r	0.03	
Calculation factor	f ₀	13.8	

Mass

Mass bearing	0.12	kg
--------------	------	----