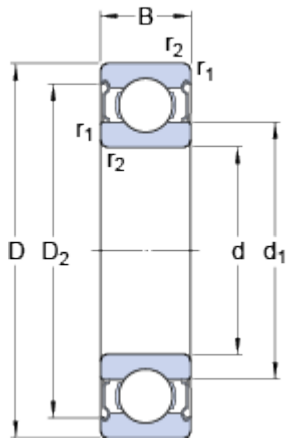


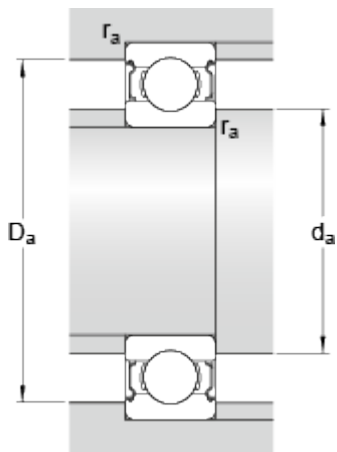
# W 6204-2Z

## Dimensions



d	20	mm
D	47	mm
B	14	mm
d <sub>1</sub>	≈ 29.5	mm
D <sub>2</sub>	≈ 40.92	mm
r <sub>1,2</sub>	min. 1	mm

## Abutment dimensions



d <sub>a</sub>	min. 25	mm
d <sub>a</sub>	max. 29	mm
D <sub>a</sub>	max. 42	mm
r <sub>a</sub>	max. 1	mm

## Calculation data

Basic dynamic load rating	C	10.8	kN
Basic static load rating	C <sub>0</sub>	6.55	kN
Fatigue load limit	P <sub>u</sub>	0.28	kN
Reference speed		34000	r/min
Limiting speed		17000	r/min
Calculation factor	k <sub>r</sub>	0.03	
Calculation factor	f <sub>0</sub>	13.1	

## Mass

Mass bearing	0.11	kg
--------------	------	----