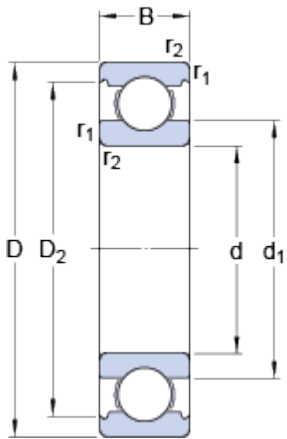


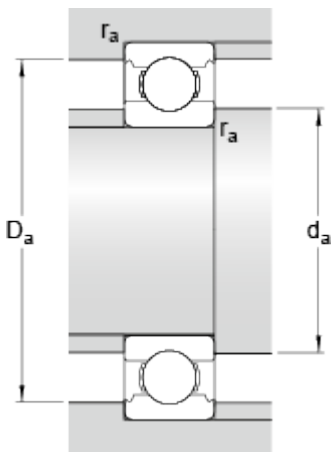
W 6204

Dimensions



d	20	mm
D	47	mm
B	14	mm
d ₁	≈ 29.5	mm
D ₂	≈ 40.92	mm
r _{1,2}	min. 1	mm

Abutment dimensions



d _a	min. 25	mm
d _a	max. 29	mm
D _a	max. 42	mm
r _a	max. 1	mm

Calculation data

Basic dynamic load rating	C	10.8	kN
Basic static load rating	C ₀	6.55	kN
Fatigue load limit	P _u	0.28	kN
Reference speed		34000	r/min
Limiting speed		22000	r/min
Calculation factor	k _r	0.03	
Calculation factor	f ₀	13.1	

Mass

Mass bearing	0.1	kg
--------------	-----	----