

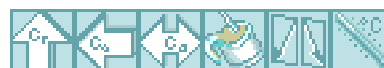
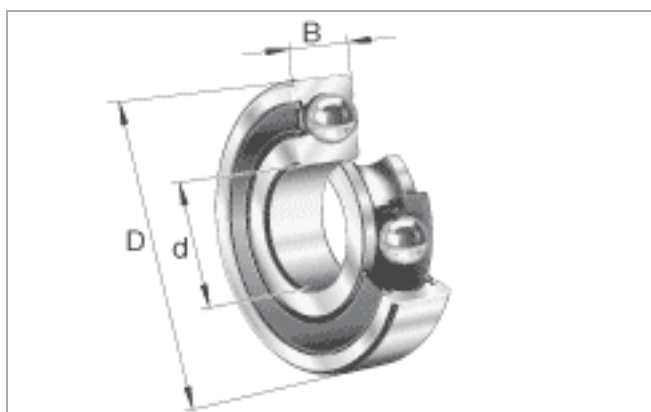


Deep groove ball bearings

62..-2RSR

main dimensions to DIN 625-1, lip seals on both sides

The datasheet is only an overview of dimensions and basic load ratings for the selected series. Please ensure that you note all the guidance in these overview pages. Further information is given on many products under the menu item "Description". You can also request comprehensive information material via Catalogue selection (<http://www.fag.de/content.fag.de/en/services/mediathek/library/library.jsp>), by e-mail (sales_promotion@fag.de) or by telephone +49 (91 32) 82 - 28 97.



	d mm	D mm	B mm	
623-2RSR		3	10	4
624-2RSR		4	13	5
625-2RSR		5	16	5
626-2RSR		6	19	6
627-2RSR		7	22	7
629-2RSR		9	26	8
6200-2RSR		10	30	9
6201-2RSR		12	32	10
6202-2RSR		15	35	11
6203-2RSR		17	40	12
6204-2RSR		20	47	14
6205-2RSR		25	52	15
6206-2RSR		30	62	16
	d mm	D mm	B mm	

	d mm	D mm	B mm	
6207-2RSR		35	72	17
6208-2RSR		40	80	18
6209-2RSR		45	85	19
6210-2RSR		50	90	20
6211-2RSR		55	100	21
6212-2RSR		60	110	22
6213-2RSR		65	120	23
6214-2RSR		70	125	24
6215-2RSR		75	130	25
6216-2RSR		80	140	26
6217-2RSR		85	150	28
6218-2RSR		90	160	30
6219-2RSR		95	170	32
6220-2RSR		100	180	34
	d mm	D mm	B mm	

Figure 1

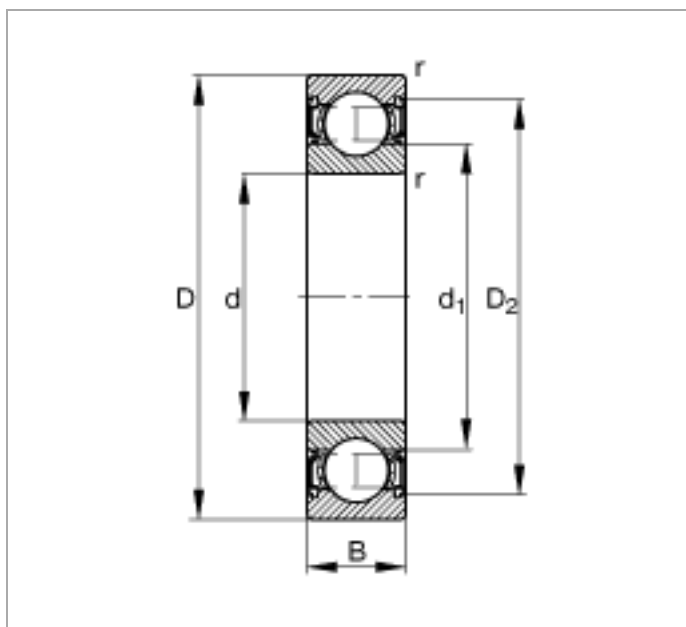
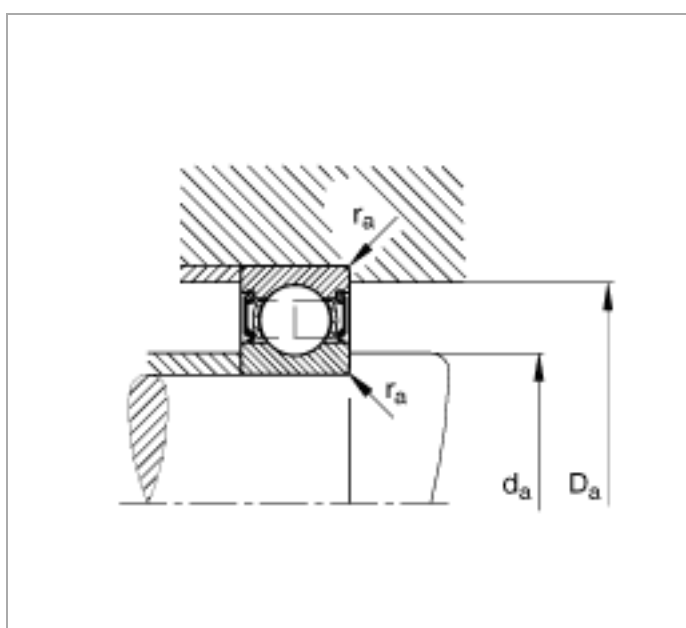


Figure 2



623-2RSR

Figure 1 , Figure 2

d	3 mm	
D	10 mm	
B	4 mm	
d ₁	5 mm	
D ₂	8,2 mm	
D _{a max}	8,6 mm	
d _{a min}	4,4 mm	
r _{a max}	0,15 mm	
r _{min}	0,15 mm	
m	0,0010 kg	Mass
C _r	640 N	Basic dynamic load rating, radial
C _{0r}	224 N	Basic static load rating, radial
n _G	32000 1/min	Limiting speed
n _B	0 1/min	Reference speed

624-2RSR

Figure 1 , Figure 2

d	4 mm	
D	13 mm	
B	5 mm	
d ₁	7 mm	
D ₂	11,2 mm	
D _{a max}	11,2 mm	
d _{a min}	5,8 mm	
r _{a max}	0,2 mm	
r _{min}	0,2 mm	
m	0,0030 kg	Mass
C _r	1290 N	Basic dynamic load rating, radial
C _{0r}	490 N	Basic static load rating, radial
n _G	26000 1/min	Limiting speed
n _B	0 1/min	Reference speed
C _{ur}	24,6 N	Fatigue limit load, radial

625-2RSR

Figure 1 , Figure 2

d	5 mm	
D	16 mm	
B	5 mm	
d ₁	8,5 mm	
D ₂	13,2 mm	
D _{a max}	13,6 mm	
d _{a min}	7,4 mm	
r _{a max}	0,3 mm	
r _{min}	0,3 mm	
m	0,0050 kg	Mass
C _r	1320 N	Basic dynamic load rating, radial
C _{0r}	440 N	Basic static load rating, radial
n _G	24000 1/min	Limiting speed
n _B	0 1/min	Reference speed
C _{ur}	22,4 N	Fatigue limit load, radial

626-2RSR

Figure 1 , Figure 2

d	6 mm	
D	19 mm	
B	6 mm	
d ₁	10,6 mm	
D ₂	16,7 mm	
D _{a max}	16,6 mm	
d _{a min}	8,4 mm	
r _{a max}	0,3 mm	
r _{min}	0,3 mm	
m	0,0080 kg	Mass
C _r	2600 N	Basic dynamic load rating, radial
C _{0r}	1060 N	Basic static load rating, radial
n _G	22000 1/min	Limiting speed
n _B	0 1/min	Reference speed
C _{ur}	53 N	Fatigue limit load, radial

627-2RSR

Figure 1 , Figure 2

d	7 mm	
D	22 mm	
B	7 mm	
d ₁	12,4 mm	
D ₂	19,1 mm	
D _{a max}	19,6 mm	
d _{a min}	9,4 mm	
r _{a max}	0,3 mm	
r _{min}	0,3 mm	
m	0,011 kg	Mass
C _r	3250 N	Basic dynamic load rating, radial
C _{0r}	1370 N	Basic static load rating, radial
n _G	20000 1/min	Limiting speed
n _B	0 1/min	Reference speed
C _{ur}	72 N	Fatigue limit load, radial

629-2RSR

Figure 1 , Figure 2

d	9 mm	
D	26 mm	
B	8 mm	
d ₁	14,7 mm	
D ₂	22,5 mm	
D _{a max}	23,6 mm	
d _{a min}	11,4 mm	
r _{a max}	0,3 mm	
r _{min}	0,3 mm	
m	0,021 kg	Mass
C _r	4550 N	Basic dynamic load rating, radial
C _{0r}	1960 N	Basic static load rating, radial
n _G	19000 1/min	Limiting speed
n _B	0 1/min	Reference speed
C _{ur}	93 N	Fatigue limit load, radial

6200-2RSR

Figure 1 , Figure 2

d	10 mm	
D	30 mm	
B	9 mm	
d ₁	16,7 mm	
D ₂	25 mm	
D _{a max}	25,8 mm	
d _{a min}	14,2 mm	
r _{a max}	0,6 mm	
r _{min}	0,6 mm	
m	0,032 kg	Mass
C _r	6000 N	Basic dynamic load rating, radial
C _{0r}	2600 N	Basic static load rating, radial
n _G	17000 1/min	Limiting speed
n _B	0 1/min	Reference speed
C _{ur}	171 N	Fatigue limit load, radial

6201-2RSR

Figure 1 , Figure 2

d	12 mm	
D	32 mm	
B	10 mm	
d ₁	18,3 mm	
D ₂	27,4 mm	
D _{a max}	27,8 mm	
d _{a min}	16,2 mm	
r _{a max}	0,6 mm	
r _{min}	0,6 mm	
m	0,039 kg	Mass
C _r	6950 N	Basic dynamic load rating, radial
C _{0r}	3100 N	Basic static load rating, radial
n _G	16000 1/min	Limiting speed
n _B	0 1/min	Reference speed
C _{ur}	198 N	Fatigue limit load, radial

6202-2RSR

Figure 1 , Figure 2

d	15 mm	
D	35 mm	
B	11 mm	
d ₁	21,1 mm	
D ₂	30,9 mm	
D _{a max}	30,8 mm	
d _{a min}	19,2 mm	
r _{a max}	0,6 mm	
r _{min}	0,6 mm	
m	0,045 kg	Mass
C _r	7800 N	Basic dynamic load rating, radial
C _{0r}	3750 N	Basic static load rating, radial
n _G	14000 1/min	Limiting speed
n _B	0 1/min	Reference speed
C _{ur}	220 N	Fatigue limit load, radial

6203-2RSR

Figure 1 , Figure 2

d	17 mm	
D	40 mm	
B	12 mm	
d ₁	24 mm	
D ₂	34,4 mm	
D _{a max}	35,8 mm	
d _{a min}	21,2 mm	
r _{a max}	0,6 mm	
r _{min}	0,6 mm	
m	0,067 kg	Mass
C _r	9500 N	Basic dynamic load rating, radial
C _{0r}	4750 N	Basic static load rating, radial
n _G	12000 1/min	Limiting speed
n _B	0 1/min	Reference speed
C _{ur}	275 N	Fatigue limit load, radial

6204-2RSR

Figure 1 , Figure 2

d	20 mm	
D	47 mm	
B	14 mm	
d ₁	28,8 mm	
D ₂	41 mm	
D _{a max}	41,4 mm	
d _{a min}	25,6 mm	
r _{a max}	1 mm	
r _{min}	1 mm	
m	0,11 kg	Mass
C _r	12700 N	Basic dynamic load rating, radial
C _{0r}	6550 N	Basic static load rating, radial
n _G	10000 1/min	Limiting speed
n _B	0 1/min	Reference speed
C _{ur}	440 N	Fatigue limit load, radial

6205-2RSR

Figure 1 , Figure 2

d	25 mm	
D	52 mm	
B	15 mm	
d ₁	33,5 mm	
D ₂	45,4 mm	
D _{a max}	46,4 mm	
d _{a min}	30,6 mm	
r _{a max}	1 mm	
r _{min}	1 mm	
m	0,133 kg	Mass
C _r	14000 N	Basic dynamic load rating, radial
C _{0r}	7800 N	Basic static load rating, radial
n _G	9000 1/min	Limiting speed
n _B	0 1/min	Reference speed
C _{ur}	510 N	Fatigue limit load, radial

6206-2RSR

Figure 1 , Figure 2

d	30 mm	
D	62 mm	
B	16 mm	
d ₁	40 mm	
D ₂	54,9 mm	
D _{a max}	56,4 mm	
d _{a min}	35,6 mm	
r _{a max}	1 mm	
r _{min}	1 mm	
m	0,201 kg	Mass
C _r	19300 N	Basic dynamic load rating, radial
C _{0r}	11200 N	Basic static load rating, radial
n _G	7500 1/min	Limiting speed
n _B	0 1/min	Reference speed
C _{ur}	680 N	Fatigue limit load, radial

6207-2RSR

Figure 1 , Figure 2

d	35 mm	
D	72 mm	
B	17 mm	
d ₁	47,2 mm	
D ₂	63,3 mm	
D _{a max}	65 mm	
d _{a min}	42 mm	
r _{a max}	1 mm	
r _{min}	1,1 mm	
m	0,301 kg	Mass
C _r	25500 N	Basic dynamic load rating, radial
C _{0r}	15300 N	Basic static load rating, radial
n _G	6300 1/min	Limiting speed
n _B	0 1/min	Reference speed
C _{ur}	920 N	Fatigue limit load, radial

6208-2RSR

Figure 1 , Figure 2

d	40 mm	
D	80 mm	
B	18 mm	
d ₁	53 mm	
D ₂	70,4 mm	
D _{a max}	73 mm	
d _{a min}	47 mm	
r _{a max}	1 mm	
r _{min}	1,1 mm	
m	0,384 kg	Mass
C _r	29000 N	Basic dynamic load rating, radial
C _{0r}	18000 N	Basic static load rating, radial
n _G	5600 1/min	Limiting speed
n _B	0 1/min	Reference speed
C _{ur}	1050 N	Fatigue limit load, radial

6209-2RSR

Figure 1 , Figure 2

d	45 mm	
D	85 mm	
B	19 mm	
d ₁	57,2 mm	
D ₂	74,6 mm	
D _{a max}	78 mm	
d _{a min}	52 mm	
r _{a max}	1 mm	
r _{min}	1,1 mm	
m	0,441 kg	Mass
C _r	31000 N	Basic dynamic load rating, radial
C _{0r}	20400 N	Basic static load rating, radial
n _G	5300 1/min	Limiting speed
n _B	0 1/min	Reference speed
C _{ur}	1150 N	Fatigue limit load, radial

6210-2RSR

Figure 1 , Figure 2

d	50 mm	
D	90 mm	
B	20 mm	
d ₁	62 mm	
D ₂	80 mm	
D _{a max}	83 mm	
d _{a min}	57 mm	
r _{a max}	1 mm	
r _{min}	1,1 mm	
m	0,48 kg	Mass
C _r	36500 N	Basic dynamic load rating, radial
C _{0r}	24000 N	Basic static load rating, radial
n _G	4800 1/min	Limiting speed
n _B	0 1/min	Reference speed
C _{ur}	1420 N	Fatigue limit load, radial

6211-2RSR

Figure 1 , Figure 2

d	55 mm	
D	100 mm	
B	21 mm	
d ₁	68,7 mm	
D ₂	88,2 mm	
D _{a max}	91 mm	
d _{a min}	64 mm	
r _{a max}	1,5 mm	
r _{min}	1,5 mm	
m	0,632 kg	Mass
C _r	43000 N	Basic dynamic load rating, radial
C _{0r}	29000 N	Basic static load rating, radial
n _G	4300 1/min	Limiting speed
n _B	0 1/min	Reference speed
C _{ur}	1720 N	Fatigue limit load, radial

6212-2RSR

Figure 1 , Figure 2

d	60 mm	
D	110 mm	
B	22 mm	
d ₁	75,8 mm	
D ₂	97,7 mm	
D _{a max}	101 mm	
d _{a min}	69 mm	
r _{a max}	1,5 mm	
r _{min}	1,5 mm	
m	0,809 kg	Mass
C _r	52000 N	Basic dynamic load rating, radial
C _{0r}	36000 N	Basic static load rating, radial
n _G	4000 1/min	Limiting speed
n _B	0 1/min	Reference speed
C _{ur}	2240 N	Fatigue limit load, radial

6213-2RSR

Figure 1 , Figure 2

d	65 mm	
D	120 mm	
B	23 mm	
d ₁	82 mm	
D ₂	106,3 mm	
D _{a max}	111 mm	
d _{a min}	74 mm	
r _{a max}	1,5 mm	
r _{min}	1,5 mm	
m	1,03 kg	Mass
C _r	60000 N	Basic dynamic load rating, radial
C _{0r}	41500 N	Basic static load rating, radial
n _G	3600 1/min	Limiting speed
n _B	0 1/min	Reference speed
C _{ur}	2550 N	Fatigue limit load, radial

6214-2RSR

Figure 1 , Figure 2

d	70 mm	
D	125 mm	
B	24 mm	
d ₁	86,8 mm	
D ₂	110,7 mm	
D _{a max}	116 mm	
d _{a min}	79 mm	
r _{a max}	1,5 mm	
r _{min}	1,5 mm	
m	1,11 kg	Mass
C _r	62000 N	Basic dynamic load rating, radial
C _{0r}	44000 N	Basic static load rating, radial
n _G	3400 1/min	Limiting speed
n _B	0 1/min	Reference speed
C _{ur}	2900 N	Fatigue limit load, radial

6215-2RSR

Figure 1 , Figure 2

d	75 mm	
D	130 mm	
B	25 mm	
d ₁	92,1 mm	
D ₂	115,5 mm	
D _{a max}	121 mm	
d _{a min}	84 mm	
r _{a max}	1,5 mm	
r _{min}	1,5 mm	
m	1,22 kg	Mass
C _r	65500 N	Basic dynamic load rating, radial
C _{0r}	49000 N	Basic static load rating, radial
n _G	3200 1/min	Limiting speed
n _B	0 1/min	Reference speed
C _{ur}	3350 N	Fatigue limit load, radial

6216-2RSR

Figure 1 , Figure 2

d	80 mm	
D	140 mm	
B	26 mm	
d ₁	98,5 mm	
D ₂	124,5 mm	
D _{a max}	129 mm	
d _{a min}	91 mm	
r _{a max}	2 mm	
r _{min}	2 mm	
m	1,49 kg	Mass
C _r	72000 N	Basic dynamic load rating, radial
C _{0r}	54000 N	Basic static load rating, radial
n _G	3000 1/min	Limiting speed
n _B	0 1/min	Reference speed
C _{ur}	3450 N	Fatigue limit load, radial

6217-2RSR

Figure 1 , Figure 2

d	85 mm	
D	150 mm	
B	28 mm	
d ₁	106,2 mm	
D ₂	133,8 mm	
D _{a max}	139 mm	
d _{a min}	96 mm	
r _{a max}	2 mm	
r _{min}	2 mm	
m	1,91 kg	Mass
C _r	83000 N	Basic dynamic load rating, radial
C _{0r}	64000 N	Basic static load rating, radial
n _G	2800 1/min	Limiting speed
n _B	0 1/min	Reference speed
C _{ur}	4050 N	Fatigue limit load, radial

6218-2RSR

Figure 1 , Figure 2

d	90 mm	
D	160 mm	
B	30 mm	
d ₁	112,3 mm	
D ₂	143,4 mm	
D _{a max}	149 mm	
d _{a min}	101 mm	
r _{a max}	2 mm	
r _{min}	2 mm	
m	2,26 kg	Mass
C _r	96500 N	Basic dynamic load rating, radial
C _{0r}	72000 N	Basic static load rating, radial
n _G	2600 1/min	Limiting speed
n _B	0 1/min	Reference speed
C _{ur}	4200 N	Fatigue limit load, radial

6219-2RSR

Figure 1 , Figure 2

d	95 mm	
D	170 mm	
B	32 mm	
d ₁	118,3 mm	
D ₂	150,9 mm	
D _{a max}	158 mm	
d _{a min}	107 mm	
r _{a max}	2,1 mm	
r _{min}	2,1 mm	
m	2,79 kg	Mass
C _r	108000 N	Basic dynamic load rating, radial
C _{0r}	81500 N	Basic static load rating, radial
n _G	2400 1/min	Limiting speed
n _B	0 1/min	Reference speed
C _{ur}	4700 N	Fatigue limit load, radial

6220-2RSR

Figure 1 , Figure 2

d	100 mm	
D	180 mm	
B	34 mm	
d ₁	124,7 mm	
D ₂	158,9 mm	
D _{a max}	168 mm	
d _{a min}	112 mm	
r _{a max}	2,1 mm	
r _{min}	2,1 mm	
m	3,36 kg	Mass
C _r	122000 N	Basic dynamic load rating, radial
C _{0r}	93000 N	Basic static load rating, radial
n _G	2400 1/min	Limiting speed
n _B	0 1/min	Reference speed
C _{ur}	5400 N	Fatigue limit load, radial