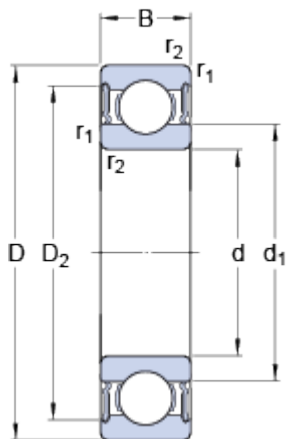


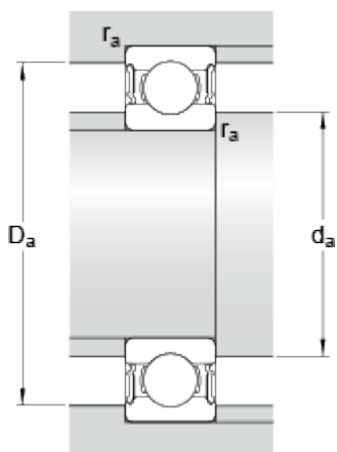
# W 6301-2RS1

## Dimensions



d	12	mm
D	37	mm
B	12	mm
d <sub>1</sub>	≈ 19.3	mm
D <sub>2</sub>	≈ 31.92	mm
r <sub>1,2</sub>	min. 1	mm

## Abutment dimensions



d <sub>a</sub>	min. 17	mm
d <sub>a</sub>	max. 19	mm
D <sub>a</sub>	max. 32.5	mm
r <sub>a</sub>	max. 1	mm

## Calculation data

Basic dynamic load rating	C	8.32	kN
Basic static load rating	C <sub>0</sub>	4.15	kN
Fatigue load limit	P <sub>u</sub>	0.176	kN
Reference speed		0	r/min
Limiting speed		14000	r/min
Calculation factor	k <sub>r</sub>	0.035	
Calculation factor	f <sub>0</sub>	11.1	

## Mass

Mass bearing	0.059	kg
--------------	-------	----