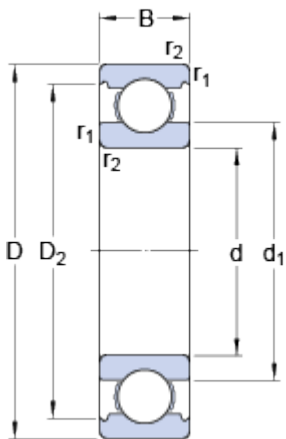


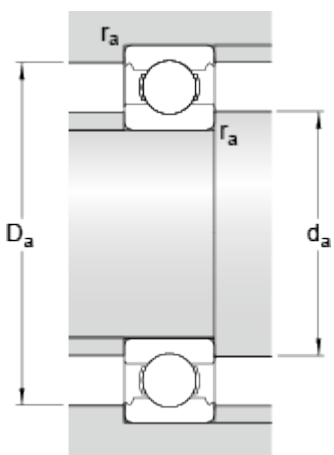
W 6004

Dimensions



d	20	mm
D	42	mm
B	12	mm
d ₁	≈ 27.6	mm
D ₂	≈ 38.75	mm
r _{1,2}	min. 0.6	mm

Abutment dimensions



d _a	min. 24	mm
d _a	max. 27.5	mm
D _a	max. 39.5	mm
r _a	max. 0.6	mm

Calculation data

Basic dynamic load rating	C	8.06	kN
Basic static load rating	C ₀	5	kN
Fatigue load limit	P _u	0.212	kN
Reference speed		38000	r/min
Limiting speed		24000	r/min
Calculation factor	k _r	0.03	
Calculation factor	f ₀	13.9	

Mass

Mass bearing	0.061	kg
--------------	-------	----