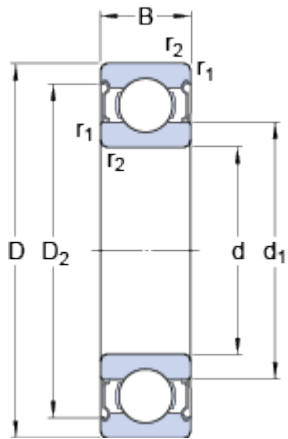


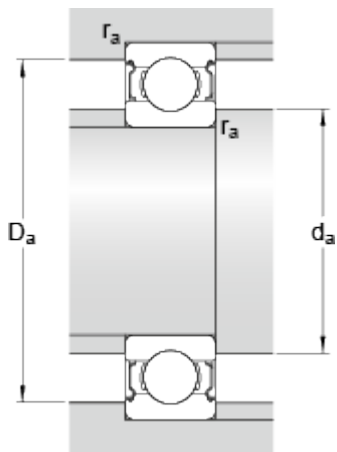
W 6301-2Z

Dimensions



d	12	mm
D	37	mm
B	12	mm
d ₁	≈ 19.3	mm
D ₂	≈ 31.92	mm
r _{1,2}	min. 1	mm

Abutment dimensions



d _a	min. 17	mm
d _a	max. 19	mm
D _a	max. 32.5	mm
r _a	max. 1	mm

Calculation data

Basic dynamic load rating	C	8.32	kN
Basic static load rating	C ₀	4.15	kN
Fatigue load limit	P _u	0.176	kN
Reference speed		48000	r/min
Limiting speed		24000	r/min
Calculation factor	k _r	0.035	
Calculation factor	f ₀	11.1	

Mass

Mass bearing	0.059	kg
--------------	-------	----