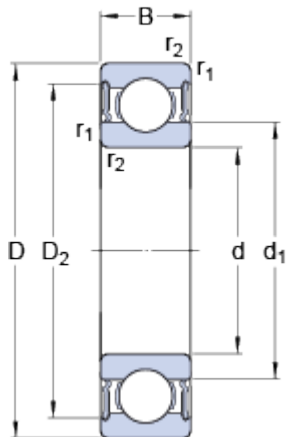


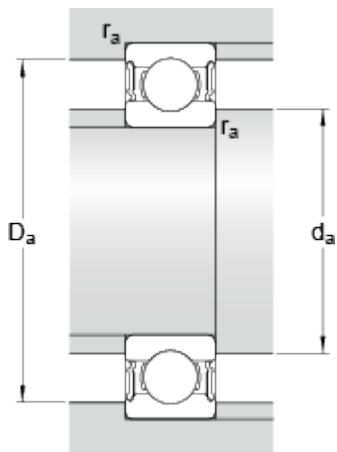
# W 6300-2RS1

## Dimensions



d	10	mm
D	35	mm
B	11	mm
d <sub>1</sub>	≈ 17.7	mm
D <sub>2</sub>	≈ 29.3	mm
r <sub>1,2</sub>	min. 0.6	mm

## Abutment dimensions



d <sub>a</sub>	min. 14	mm
d <sub>a</sub>	max. 17.5	mm
D <sub>a</sub>	max. 31	mm
r <sub>a</sub>	max. 0.6	mm

## Calculation data

Basic dynamic load rating	C	7.02	kN
Basic static load rating	C <sub>0</sub>	3.4	kN
Fatigue load limit	P <sub>u</sub>	0.146	kN
Reference speed		0	r/min
Limiting speed		15000	r/min
Calculation factor	k <sub>r</sub>	0.035	
Calculation factor	f <sub>0</sub>	11.2	

## Mass

Mass bearing	0.052	kg
--------------	-------	----