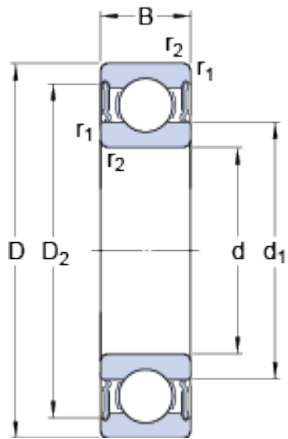


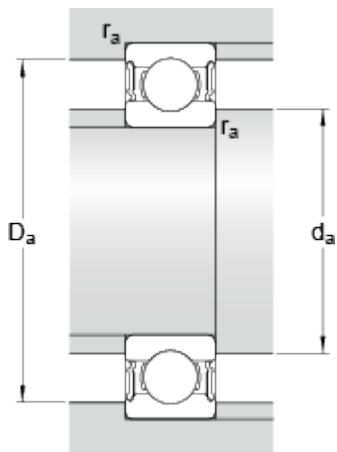
W 6203-2RS1

Dimensions



| | | |
|------------------|----------|----|
| d | 17 | mm |
| D | 40 | mm |
| B | 12 | mm |
| d ₁ | ≈ 24.9 | mm |
| D ₂ | ≈ 35.8 | mm |
| r _{1,2} | min. 0.6 | mm |

Abutment dimensions



| | | |
|----------------|-----------|----|
| d _a | min. 21 | mm |
| d _a | max. 24.5 | mm |
| D _a | max. 37.5 | mm |
| r _a | max. 0.6 | mm |

Calculation data

| | | | |
|---------------------------|----------------|-------|-------|
| Basic dynamic load rating | C | 8.06 | kN |
| Basic static load rating | C ₀ | 4.75 | kN |
| Fatigue load limit | P _u | 0.2 | kN |
| Reference speed | | 0 | r/min |
| Limiting speed | | 12000 | r/min |
| Calculation factor | k _r | 0.03 | |
| Calculation factor | f ₀ | 13.1 | |

Mass

| | | |
|--------------|-------|----|
| Mass bearing | 0.064 | kg |
|--------------|-------|----|