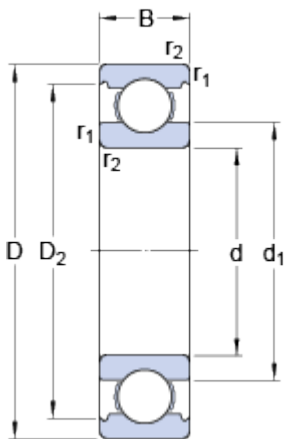


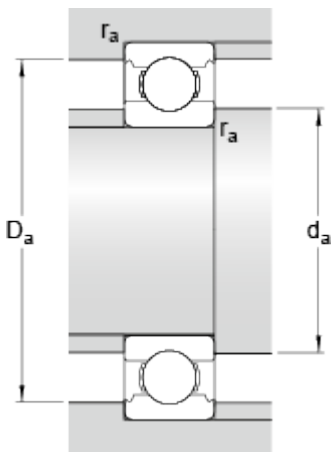
W 6003

Dimensions



d	17	mm
D	35	mm
B	10	mm
d ₁	≈ 23.5	mm
D ₂	≈ 31.85	mm
r _{1,2}	min. 0.3	mm

Abutment dimensions



d _a	min. 19	mm
d _a	max. 23	mm
D _a	max. 33	mm
r _a	max. 0.3	mm

Calculation data

Basic dynamic load rating	C	4.94	kN
Basic static load rating	C ₀	3.15	kN
Fatigue load limit	P _u	0.137	kN
Reference speed		45000	r/min
Limiting speed		28000	r/min
Calculation factor	k _r	0.03	
Calculation factor	f ₀	14.1	

Mass

Mass bearing	0.036	kg
--------------	-------	----