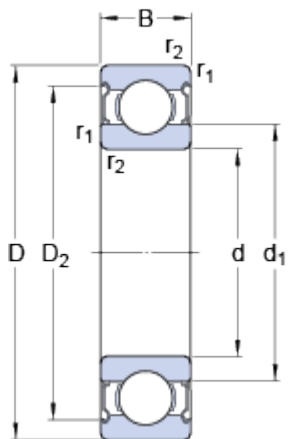


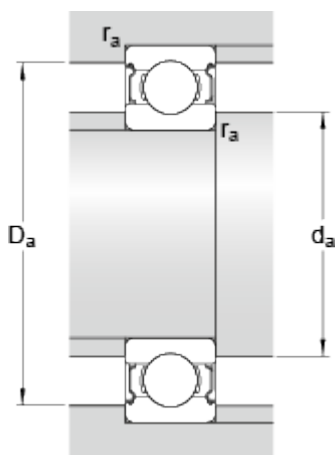
W 6202-2Z

Dimensions



d	15	mm
D	35	mm
B	11	mm
d ₁	≈ 21.7	mm
D ₂	≈ 31.4	mm
r _{1,2}	min. 0.6	mm

Abutment dimensions



d _a	min. 19	mm
d _a	max. 21.5	mm
D _a	max. 32	mm
r _a	max. 0.6	mm

Calculation data

Basic dynamic load rating	C	6.37	kN
Basic static load rating	C ₀	3.6	kN
Fatigue load limit	P _u	0.156	kN
Reference speed		48000	r/min
Limiting speed		24000	r/min
Calculation factor	k _r	0.03	
Calculation factor	f ₀	12.9	

Mass

Mass bearing	0.044	kg
--------------	-------	----