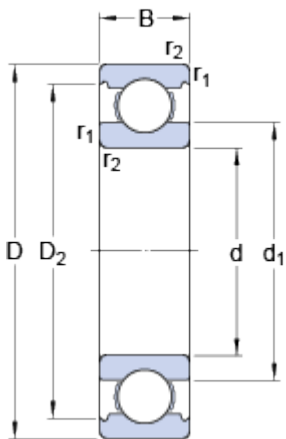


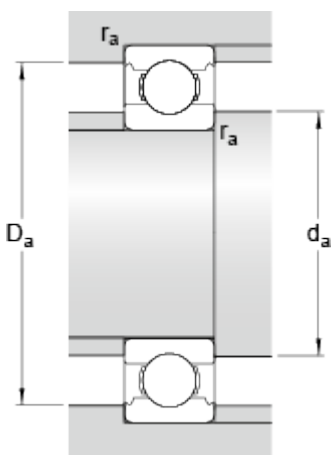
# W 6202

## Dimensions



d	15	mm
D	35	mm
B	11	mm
d <sub>1</sub>	≈ 21.7	mm
D <sub>2</sub>	≈ 31.4	mm
r <sub>1,2</sub>	min. 0.6	mm

## Abutment dimensions



d <sub>a</sub>	min. 19	mm
d <sub>a</sub>	max. 21.5	mm
D <sub>a</sub>	max. 32	mm
r <sub>a</sub>	max. 0.6	mm

## Calculation data

Basic dynamic load rating	C	6.37	kN
Basic static load rating	C <sub>0</sub>	3.6	kN
Fatigue load limit	P <sub>u</sub>	0.156	kN
Reference speed		48000	r/min
Limiting speed		30000	r/min
Calculation factor	k <sub>r</sub>	0.03	
Calculation factor	f <sub>0</sub>	12.9	

## Mass

Mass bearing	0.041	kg
--------------	-------	----