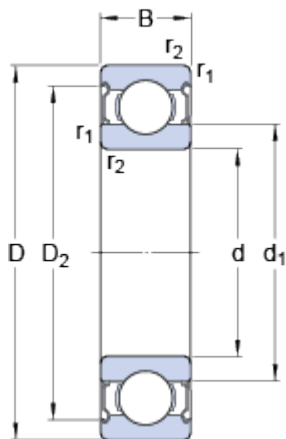


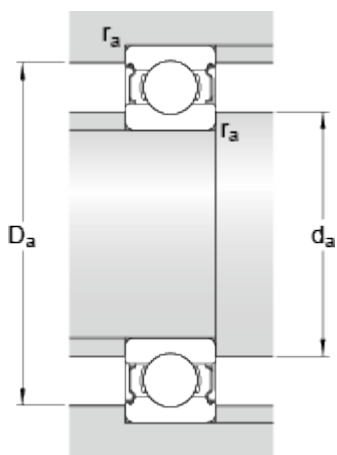
# W 6201-2Z

## Dimensions



d	12	mm
D	32	mm
B	10	mm
d <sub>1</sub>	≈ 18.5	mm
D <sub>2</sub>	≈ 27.95	mm
r <sub>1,2</sub>	min. 0.6	mm

## Abutment dimensions



d <sub>a</sub>	min. 16	mm
d <sub>a</sub>	max. 18	mm
D <sub>a</sub>	max. 28.5	mm
r <sub>a</sub>	max. 0.6	mm

## Calculation data

Basic dynamic load rating	C	5.72	kN
Basic static load rating	C <sub>0</sub>	3	kN
Fatigue load limit	P <sub>u</sub>	0.127	kN
Reference speed		53000	r/min
Limiting speed		28000	r/min
Calculation factor	k <sub>r</sub>	0.03	
Calculation factor	f <sub>0</sub>	12	

## Mass

Mass bearing	0.036	kg
--------------	-------	----