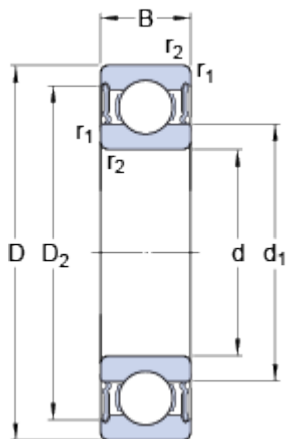


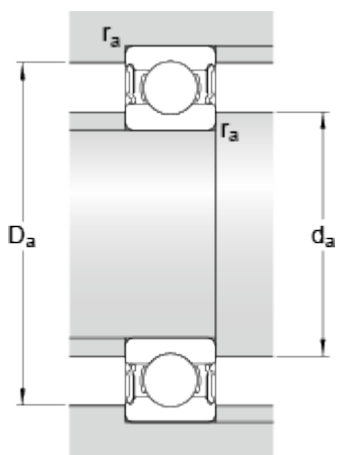
W 6201-2RS1

Dimensions



d	12	mm
D	32	mm
B	10	mm
d ₁	≈ 18.5	mm
D ₂	≈ 27.95	mm
r _{1,2}	min. 0.6	mm

Abutment dimensions



d _a	min. 16	mm
d _a	max. 18	mm
D _a	max. 28.5	mm
r _a	max. 0.6	mm

Calculation data

Basic dynamic load rating	C	5.72	kN
Basic static load rating	C ₀	3	kN
Fatigue load limit	P _u	0.127	kN
Reference speed		0	r/min
Limiting speed		15000	r/min
Calculation factor	k _r	0.03	
Calculation factor	f ₀	12	

Mass

Mass bearing	0.036	kg
--------------	-------	----