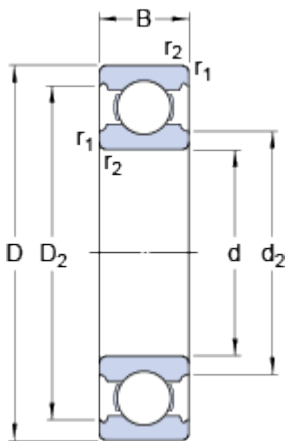


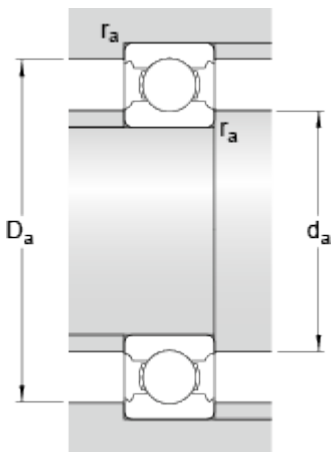
W 6200

Dimensions



| | | |
|------------------|----------|----|
| d | 10 | mm |
| D | 30 | mm |
| B | 9 | mm |
| d ₂ | ≈ 15.3 | mm |
| D ₂ | ≈ 25.28 | mm |
| r _{1,2} | min. 0.6 | mm |

Abutment dimensions



| | | |
|----------------|----------|----|
| d _a | min. 14 | mm |
| d _a | max. 15 | mm |
| D _a | max. 26 | mm |
| r _a | max. 0.6 | mm |

Calculation data

| | | | |
|---------------------------|----------------|-------|-------|
| Basic dynamic load rating | C | 4.36 | kN |
| Basic static load rating | C ₀ | 2.32 | kN |
| Fatigue load limit | P _u | 0.1 | kN |
| Reference speed | | 60000 | r/min |
| Limiting speed | | 36000 | r/min |
| Calculation factor | k _r | 0.03 | |
| Calculation factor | f ₀ | 12.9 | |

Mass

| | | |
|--------------|-------|----|
| Mass bearing | 0.029 | kg |
|--------------|-------|----|