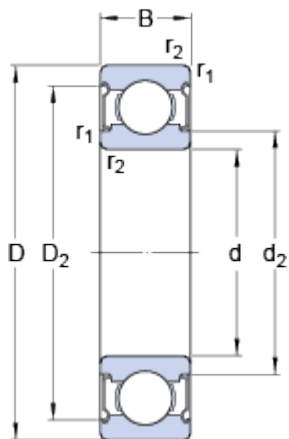


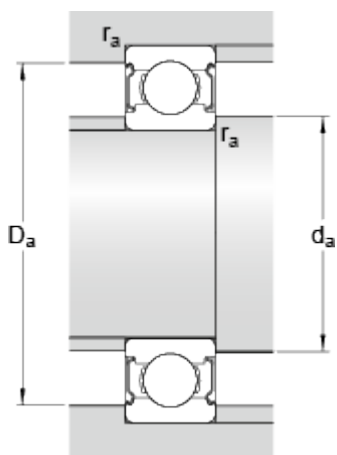
W 6001-2Z

Dimensions



d	12	mm
D	28	mm
B	8	mm
d ₂	≈ 16	mm
D ₂	≈ 25.15	mm
r _{1,2}	min. 0.3	mm

Abutment dimensions



d _a	min. 14	mm
d _a	max. 15.5	mm
D _a	max. 26	mm
r _a	max. 0.3	mm

Calculation data

Basic dynamic load rating	C	4.42	kN
Basic static load rating	C ₀	2.36	kN
Fatigue load limit	P _u	0.102	kN
Reference speed		60000	r/min
Limiting speed		30000	r/min
Calculation factor	k _r	0.03	
Calculation factor	f ₀	13.2	

Mass

Mass bearing	0.02	kg
--------------	------	----