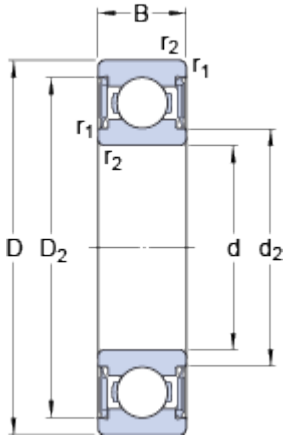


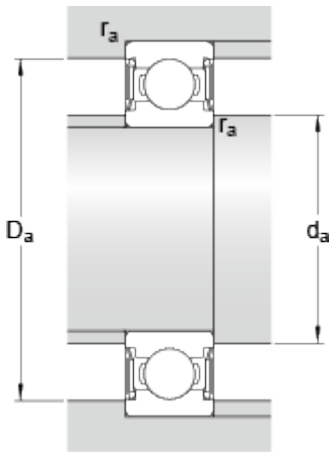
W 6000-2RS1

Dimensions



d	10	mm
D	26	mm
B	8	mm
d ₂	≈ 13.9	mm
D ₂	≈ 22.38	mm
r _{1,2}	min. 0.3	mm

Abutment dimensions



d _a	min. 12	mm
d _a	max. 13.5	mm
D _a	max. 24	mm
r _a	max. 0.3	mm

Calculation data

Basic dynamic load rating	C	3.97	kN
Basic static load rating	C ₀	1.96	kN
Fatigue load limit	P _u	0.083	kN
Limiting speed		19000	r/min
Calculation factor	k _r	0.03	
Calculation factor	f ₀	12.4	

Mass

Mass bearing	0.018	kg
--------------	-------	----