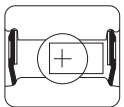
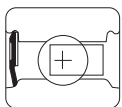
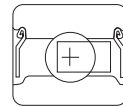
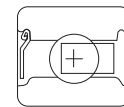
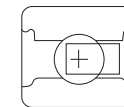


1600 Series™ Precision Ground Radial Bearings

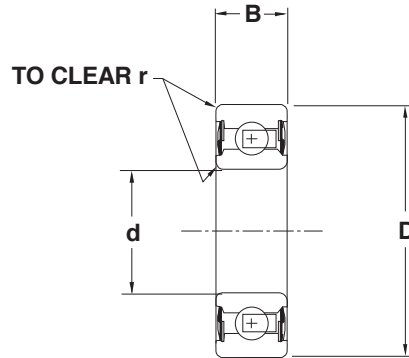
Precision ground 1600 Series™ bearings are specially designed to provide a line of low cost yet high quality bearings for adaptation to a majority of precision bearing applications. They are made in easy to use inch dimensions and are recommended for medium loads and for maximum speeds in the range of 5000 rpm.

The 1600 Series™ bearings are precision ground on all surfaces with exceptional care given to the ball grooves. Careful heat treatment provides a uniform and exact degree of hardness for maximum life. A ball retainer, or separator, is used to increase the range of allowable speeds by reducing ball-to-ball contact friction. The 1600 Series™ radial bearings are available open, single or doubled shielded, or single or double sealed. Double sealed and double shielded bearings are supplied grease packed as standard. Open and single closure bearings can be supplied greased on request.

BEARING	SUFFIX					PRINCIPLE DIMENSIONS		
	 DOUBLE SEAL	 SINGLE SEAL	 DOUBLE SHIELD	 SINGLE SHIELD	 OPEN	BORE d (in) (mm)	O.D. D (in) (mm)	
						+0.0000 +.000 -.0005 -.013	+0.0000 +.000 -.0005 -.013	
1602™	DC ⁵	SC ⁵	DS	SS	NS	0.2500 6.350	0.6875 17.463	
1603™	DC	SC	DS	SS	NS	0.3125 7.938	0.8750 22.225	
1604™	DC	SC	DS	SS	NS	0.3750 9.525	0.8750 22.225	
1605™	DC	SC	DS	SS	NS	0.3125 7.938	0.9063 23.020	
1606™	DC	SC	DS	SS	NS	0.3750 9.525	0.9063 23.020	
1607™	DC	SC	DS	SS	NS	0.4375 11.113	0.9063 23.020	
1614™	DC	SC	DS	SS	NS	0.3750 9.525	1.1250 28.575	
1615™	DC	SC	DS	SS	NS	0.4375 11.113	1.1250 28.575	
1616™	DC	SC	DS	SS	NS	0.5000 12.700	1.1250 28.575	
1620™	DC	SC	DS	SS	NS	0.4375 11.113	1.3750 34.925	
1621™	DC	SC	DS	SS	NS	0.5000 12.700	1.3750 34.925	

- ① Width for sealed versions = 0.3125 (7.938)
- ② Width for sealed versions = 0.3438 (8.733)
- ③ Weights given are for greased and sealed versions
- ④ 1638 and larger +.0000/-.0006 (+.000/-0.015)
- ⑤ Multi-part seal see page 42

1600 Series™ Precision Ground Radial Bearings

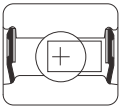
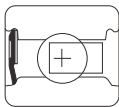
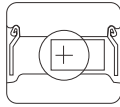
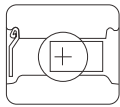
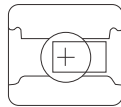


		BASIC LOAD RATINGS		WEIGHT	ABUTMENT AND FILLET DIMENSIONS		
WIDTH B (in) (mm) +.000 +.00 -.005 -.13	DYNAMIC C (lbs) (N)	STATIC C ₀ (lbs) (N)	W ³ (lbs) (kg)	d _a min (in) (mm)	D _a max (in) (mm)	r max (in) (mm)	
0.2500 ¹ 6.350	511 2274	170 757	0.02 0.01	0.330 8.38	0.614 15.60	0.012 0.30	
0.2813 ² 7.150	644 2866	255 1135	0.03 0.01	0.474 12.04	0.778 19.76	0.012 0.30	
0.2813 ² 7.150	644 2866	255 1135	0.03 0.01	0.474 12.04	0.778 19.76	0.015 0.38	
0.3125 7.938	698 3106	300 1335	0.04 0.02	0.503 12.78	0.778 19.76	0.012 0.30	
0.3125 7.938	698 3106	300 1335	0.04 0.02	0.517 13.13	0.778 19.76	0.015 0.38	
0.3125 7.938	698 3106	300 1335	0.03 0.01	0.517 13.13	0.778 19.76	0.015 0.38	
0.3750 9.525	1200 5340	475 2114	0.06 0.03	0.595 15.11	1.014 25.76	0.025 0.64	
0.3750 9.525	1200 5340	475 2114	0.06 0.03	0.622 15.80	1.014 25.76	0.025 0.64	
0.3750 9.525	1200 5340	475 2114	0.06 0.03	0.622 15.80	1.014 25.76	0.025 0.64	
0.4375 11.113	1878 8357	850 3783	0.12 0.05	0.658 16.71	1.203 30.56	0.025 0.64	
0.4375 11.113	1878 8357	850 3783	0.11 0.05	0.720 18.29	1.203 30.56	0.025 0.64	

1600 Series™ Precision Ground Radial Bearings (con't)

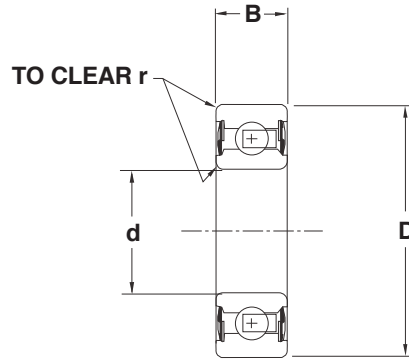
Precision ground 1600 Series™ bearings are specially designed to provide a line of low cost yet high quality bearings for adaptation to a majority of precision bearing applications. They are made in easy to use inch dimensions and are recommended for medium loads and for maximum speeds in the range of 5000 rpm.

The 1600 Series™ bearings are precision ground on all surfaces with exceptional care given to the ball grooves. Careful heat treatment provides a uniform and exact degree of hardness for maximum life. A ball retainer, or separator, is used to increase the range of allowable speeds by reducing ball-to-ball contact friction. The 1600 Series™ radial bearings are available open, single or doubled shielded, or single or double sealed. Double sealed and double shielded bearings are supplied grease packed as standard. Open and single closure bearings can be supplied greased on request.

BEARING	SUFFIX					PRINCIPLE DIMENSIONS		
	 DOUBLE SEAL	 SINGLE SEAL	 DOUBLE SHIELD	 SINGLE SHIELD	 OPEN	BORE d (in) (mm) +.0000 +.000 -.0005 -.013	O.D. D (in) (mm) +.0000 +.000 -.0005 -.013	
1623™	DC	SC	DS	SS	NS	0.6250 15.875	1.3750 34.925	
1628™	DC	SC	DS	SS	NS	0.6250 15.875	1.6250 41.275	
1630™	DC	SC	DS	SS	NS	0.7500 19.050	1.6250 41.275	
1633™	DC	SC	DS	SS	NS	0.6250 15.875	1.7500 44.450	
1635™	DC	SC	DS	SS	NS	0.7500 19.050	1.7500 44.450	
1638™	DC ④	SC	DS	SS	NS	0.7500 19.050	2.0000 50.800	
1640™	DC ④	SC	DS	SS	NS	0.8750 22.225	2.0000 50.800	
1641™	DC ④	SC	DS	SS	NS	1.0000 25.400	2.0000 50.800	
1652™	DC ④ ⑤	SC	DS	SS	NS	1.1250 28.575	2.5000 63.500	
1654™	DC ④ ⑤	SC	DS	SS	NS	1.2500 31.750	2.5000 63.500	
1657™	DC ④ ⑤	SC	DS	SS	NS	1.2500 31.750	2.5625 65.088	

- ① Width for sealed versions = 0.3125 (7.938)
- ② Width for sealed versions = 0.3438 (8.733)
- ③ Weights given are for greased and sealed versions
- ④ 1638 and larger +.0000/-.0006 (+.000/-0.015)
- ⑤ Multi-part seal see page 42

1600 Series™ Precision Ground Radial Bearings (con't)



WIDTH B (in) (mm) +.000 +.00 -.005 -.13	BASIC LOAD RATINGS		WEIGHT W ³ (lbs) (kg)	ABUTMENT AND FILLET DIMENSIONS		
	DYNAMIC C (lbs) (N)	STATIC C₀ (lbs) (N)		d_a min (in) (mm)	D_a max (in) (mm)	r max (in) (mm)
0.4375 11.113	1878 8357	850 3783	0.10 0.05	0.753 19.13	1.203 30.56	0.025 0.64
0.5000 12.700	2595 11548	1010 4495	0.18 0.08	0.845 21.46	1.446 36.73	0.025 0.64
0.5000 12.700	2595 11548	1010 4495	0.16 0.07	0.965 24.51	1.446 36.73	0.025 0.64
0.5000 12.700	2593 11539	1025 4561	0.22 0.10	0.845 21.46	1.530 38.86	0.025 0.64
0.5000 12.700	2593 11539	1025 4561	0.20 0.09	0.965 24.51	1.530 38.86	0.025 0.64
0.5625 14.288	2967 13203	1350 6008	0.32 0.15	0.988 25.10	1.760 44.70	0.035 0.89
0.5625 14.288	2967 13203	1350 6008	0.29 0.13	1.113 28.27	1.760 44.70	0.035 0.89
0.5625 14.288	2967 13203	1350 6008	0.26 0.12	1.197 30.40	1.760 44.70	0.035 0.89
0.6250 15.875	3864 17195	2120 9434	0.38 0.17	1.375 34.93	2.244 57.00	0.035 0.89
0.6250 15.875	3864 17195	2120 9434	0.46 0.21	1.500 38.10	2.244 57.00	0.035 0.89
0.6875 17.463	5360 23852	2620 11659	0.51 0.23	1.500 38.10	2.314 58.78	0.035 0.89