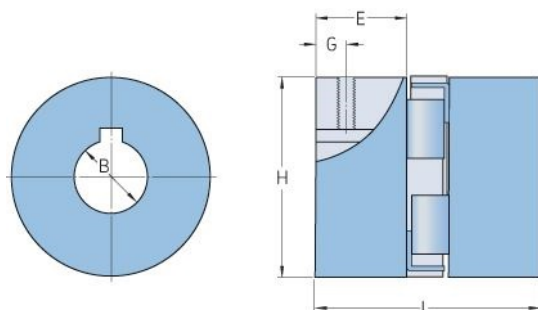


PHE L075HUB



Size	75
Position threaded hole G(mm)	9
Outer diameter H(mm)	44.5
Maximum bore	24
Set screw	M6
Length E(mm)	21
Bore	-

© SKF is a registered trademark of the SKF Group.

© SKF Group 2012

The contents of this publication are the copyright of the publisher and may not be reproduced (even extracts) unless prior written permission is granted. Every care has been taken to ensure the accuracy of the information contained in this publication but no liability can be accepted for any loss or damage whether direct, indirect or consequential arising out of the use of the information contained herein.