

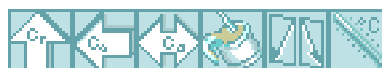
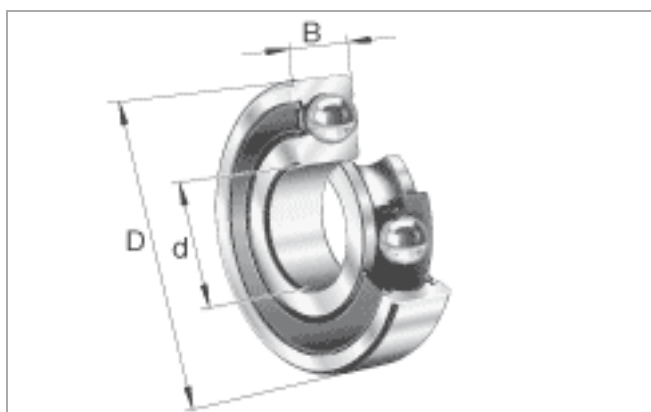


Deep groove ball bearings

60..-2RSR

main dimensions to DIN 625-1, lip seals on both sides

The datasheet is only an overview of dimensions and basic load ratings for the selected series. Please ensure that you note all the guidance in these overview pages. Further information is given on many products under the menu item "Description". You can also request comprehensive information material via Catalogue selection (<http://www.fag.de/content.fag.de/en/services/mediathek/library/library.jsp>), by e-mail (sales_promotion@fag.de) or by telephone +49 (91 32) 82 - 28 97.



	d mm	D mm	B mm	
607-2RSR		7	19	6
608-2RSR		8	22	7
609-2RSR		9	24	7
6000-2RSR		10	26	8
6001-2RSR		12	28	8
6002-2RSR		15	32	9
6003-2RSR		17	35	10
6004-2RSR		20	42	12
6005-2RSR		25	47	12
6006-2RSR		30	55	13
6007-2RSR		35	62	14
6008-2RSR		40	68	15
6009-2RSR		45	75	16
	d mm	D mm	B mm	

	d mm	D mm	B mm	
6010-2RSR		50	80	16
6011-2RSR		55	90	18
6012-2RSR		60	95	18
6013-2RSR		65	100	18
6014-2RSR		70	110	20
6015-2RSR		75	115	20
6017-2RSR		85	130	22
6018-2RSR		90	140	24
6019-2RSR		95	145	24
6020-2RSR		100	150	24
6022-2RSR		110	170	28
6024-2RSR		120	180	28
6026-2RSR		130	200	33
6032-2RSR		160	240	38
	d mm	D mm	B mm	

Figure 1

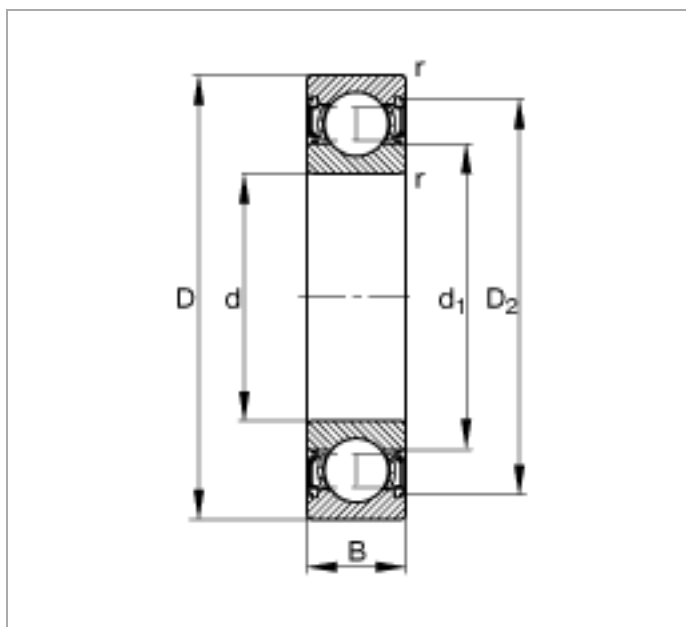
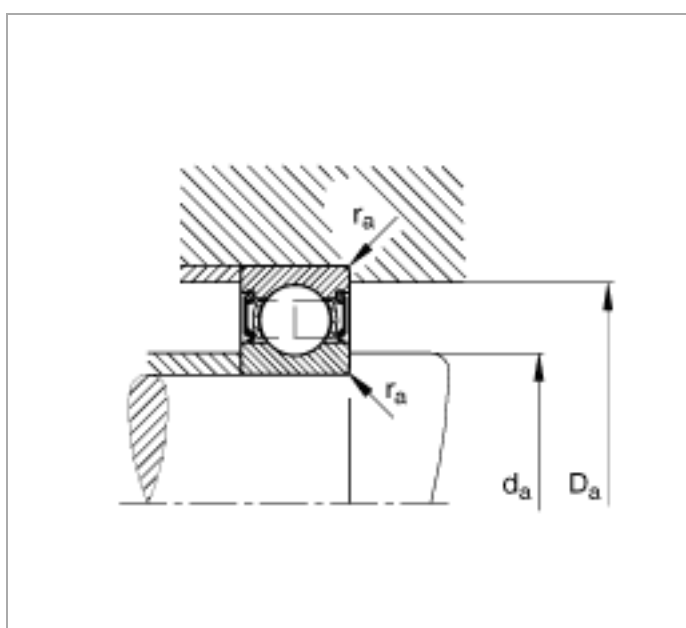


Figure 2



607-2RSR

Figure 1 , Figure 2

d	7 mm	
D	19 mm	
B	6 mm	
d ₁	10,6 mm	
D ₂	16,7 mm	
D _{a max}	17 mm	
d _{a min}	9 mm	
r _{a max}	0,3 mm	
r _{min}	0,3 mm	
m	0,0070 kg	Mass
C _r	2600 N	Basic dynamic load rating, radial
C _{0r}	1060 N	Basic static load rating, radial
n _G	22000 1/min	Limiting speed
n _B	0 1/min	Reference speed
C _{ur}	53 N	Fatigue limit load, radial

608-2RSR

Figure 1 , Figure 2

d	8 mm	
D	22 mm	
B	7 mm	
d ₁	12,4 mm	
D ₂	19,1 mm	
D _{a max}	20 mm	
d _{a min}	10 mm	
r _{a max}	0,3 mm	
r _{min}	0,3 mm	
m	0,01 kg	Mass
C _r	3250 N	Basic dynamic load rating, radial
C _{0r}	1370 N	Basic static load rating, radial
n _G	20000 1/min	Limiting speed
n _B	0 1/min	Reference speed
C _{ur}	72 N	Fatigue limit load, radial

609-2RSR

Figure 1 , Figure 2

d	9 mm	
D	24 mm	
B	7 mm	
d ₁	14 mm	
D ₂	20,5 mm	
D _{a max}	22 mm	
d _{a min}	11 mm	
r _{a max}	0,3 mm	
r _{min}	0,3 mm	
m	0,016 kg	Mass
C _r	3650 N	Basic dynamic load rating, radial
C _{0r}	1630 N	Basic static load rating, radial
n _G	20000 1/min	Limiting speed
n _B	0 1/min	Reference speed
C _{ur}	89 N	Fatigue limit load, radial

6000-2RSR

Figure 1 , Figure 2

d	10 mm	
D	26 mm	
B	8 mm	
d ₁	14,7 mm	
D ₂	22,5 mm	
D _{a max}	24 mm	
d _{a min}	12 mm	
r _{a max}	0,3 mm	
r _{min}	0,3 mm	
m	0,02 kg	Mass
C _r	4550 N	Basic dynamic load rating, radial
C _{0r}	1960 N	Basic static load rating, radial
n _G	19000 1/min	Limiting speed
n _B	0 1/min	Reference speed
C _{ur}	93 N	Fatigue limit load, radial

6001-2RSR

Figure 1 , Figure 2

d	12 mm	
D	28 mm	
B	8 mm	
d ₁	16,7 mm	
D ₂	24,5 mm	
D _{a max}	26 mm	
d _{a min}	14 mm	
r _{a max}	0,3 mm	
r _{min}	0,3 mm	
m	0,022 kg	Mass
C _r	5100 N	Basic dynamic load rating, radial
C _{0r}	2360 N	Basic static load rating, radial
n _G	18000 1/min	Limiting speed
n _B	0 1/min	Reference speed
C _{ur}	130 N	Fatigue limit load, radial

6002-2RSR

Figure 1 , Figure 2

d	15 mm	
D	32 mm	
B	9 mm	
d ₁	20,5 mm	
D ₂	28,4 mm	
D _{a max}	30 mm	
d _{a min}	17 mm	
r _{a max}	0,3 mm	
r _{min}	0,3 mm	
m	0,033 kg	Mass
C _r	5600 N	Basic dynamic load rating, radial
C _{0r}	2850 N	Basic static load rating, radial
n _G	16000 1/min	Limiting speed
n _B	0 1/min	Reference speed
C _{ur}	134 N	Fatigue limit load, radial

6003-2RSR

Figure 1 , Figure 2

d	17 mm	
D	35 mm	
B	10 mm	
d ₁	22,7 mm	
D ₂	30,8 mm	
D _{a max}	33 mm	
d _{a min}	19 mm	
r _{a max}	0,3 mm	
r _{min}	0,3 mm	
m	0,04 kg	Mass
C _r	6000 N	Basic dynamic load rating, radial
C _{0r}	3250 N	Basic static load rating, radial
n _G	14000 1/min	Limiting speed
n _B	0 1/min	Reference speed
C _{ur}	157 N	Fatigue limit load, radial

6004-2RSR

Figure 1 , Figure 2

d	20 mm	
D	42 mm	
B	12 mm	
d ₁	26,6 mm	
D ₂	37,4 mm	
D _{a max}	38,8 mm	
d _{a min}	23,2 mm	
r _{a max}	0,6 mm	
r _{min}	0,6 mm	
m	0,071 kg	Mass
C _r	9300 N	Basic dynamic load rating, radial
C _{0r}	5000 N	Basic static load rating, radial
n _G	12000 1/min	Limiting speed
n _B	0 1/min	Reference speed
C _{ur}	285 N	Fatigue limit load, radial

6005-2RSR

Figure 1 , Figure 2

d	25 mm	
D	47 mm	
B	12 mm	
d ₁	32 mm	
D ₂	42,5 mm	
D _{a max}	43,8 mm	
d _{a min}	28,2 mm	
r _{a max}	0,6 mm	
r _{min}	0,6 mm	
m	0,085 kg	Mass
C _r	10000 N	Basic dynamic load rating, radial
C _{0r}	5850 N	Basic static load rating, radial
n _G	10000 1/min	Limiting speed
n _B	0 1/min	Reference speed
C _{ur}	305 N	Fatigue limit load, radial

6006-2RSR

Figure 1 , Figure 2

d	30 mm	
D	55 mm	
B	13 mm	
d ₁	38,3 mm	
D ₂	49,2 mm	
D _{a max}	50,4 mm	
d _{a min}	34,6 mm	
r _{a max}	1 mm	
r _{min}	1 mm	
m	0,126 kg	Mass
C _r	12700 N	Basic dynamic load rating, radial
C _{0r}	8000 N	Basic static load rating, radial
n _G	8500 1/min	Limiting speed
n _B	0 1/min	Reference speed
C _{ur}	390 N	Fatigue limit load, radial

6007-2RSR

Figure 1 , Figure 2

d	35 mm	
D	62 mm	
B	14 mm	
d ₁	43,2 mm	
D ₂	55,4 mm	
D _{a max}	57,4 mm	
d _{a min}	39,6 mm	
r _{a max}	1 mm	
r _{min}	1 mm	
m	0,163 kg	Mass
C _r	16000 N	Basic dynamic load rating, radial
C _{0r}	10200 N	Basic static load rating, radial
n _G	7500 1/min	Limiting speed
n _B	0 1/min	Reference speed
C _{ur}	550 N	Fatigue limit load, radial

6008-2RSR

Figure 1 , Figure 2

d	40 mm	
D	68 mm	
B	15 mm	
d ₁	49,3 mm	
D ₂	61,6 mm	
D _{a max}	63,4 mm	
d _{a min}	44,6 mm	
r _{a max}	1 mm	
r _{min}	1 mm	
m	0,202 kg	Mass
C _r	16600 N	Basic dynamic load rating, radial
C _{0r}	11600 N	Basic static load rating, radial
n _G	6700 1/min	Limiting speed
n _B	0 1/min	Reference speed
C _{ur}	580 N	Fatigue limit load, radial

6009-2RSR

Figure 1 , Figure 2

d	45 mm	
D	75 mm	
B	16 mm	
d ₁	54,2 mm	
D ₂	68 mm	
D _{a max}	70,4 mm	
d _{a min}	49,6 mm	
r _{a max}	1 mm	
r _{min}	1 mm	
m	0,257 kg	Mass
C _r	20000 N	Basic dynamic load rating, radial
C _{0r}	14300 N	Basic static load rating, radial
n _G	6000 1/min	Limiting speed
n _B	0 1/min	Reference speed
C _{ur}	730 N	Fatigue limit load, radial

6010-2RSR

Figure 1 , Figure 2

d	50 mm	
D	80 mm	
B	16 mm	
d ₁	59,8 mm	
D ₂	72,9 mm	
D _{a max}	75,4 mm	
d _{a min}	54,6 mm	
r _{a max}	1 mm	
r _{min}	1 mm	
m	0,283 kg	Mass
C _r	20800 N	Basic dynamic load rating, radial
C _{0r}	15600 N	Basic static load rating, radial
n _G	5600 1/min	Limiting speed
n _B	0 1/min	Reference speed
C _{ur}	770 N	Fatigue limit load, radial

6011-2RSR

Figure 1 , Figure 2

d	55 mm	
D	90 mm	
B	18 mm	
d ₁	66,2 mm	
D ₂	81,5 mm	
D _{a max}	84 mm	
d _{a min}	61 mm	
r _{a max}	1 mm	
r _{min}	1,1 mm	
m	0,41 kg	Mass
C _r	28500 N	Basic dynamic load rating, radial
C _{0r}	21200 N	Basic static load rating, radial
n _G	5000 1/min	Limiting speed
n _B	0 1/min	Reference speed
C _{ur}	1120 N	Fatigue limit load, radial

6012-2RSR

Figure 1 , Figure 2

d	60 mm	
D	95 mm	
B	18 mm	
d ₁	71,3 mm	
D ₂	86 mm	
D _{a max}	89 mm	
d _{a min}	66 mm	
r _{a max}	1 mm	
r _{min}	1,1 mm	
m	0,432 kg	Mass
C _r	29000 N	Basic dynamic load rating, radial
C _{0r}	23200 N	Basic static load rating, radial
n _G	4500 1/min	Limiting speed
n _B	0 1/min	Reference speed
C _{ur}	1190 N	Fatigue limit load, radial

6013-2RSR

Figure 1 , Figure 2

d	65 mm	
D	100 mm	
B	18 mm	
d ₁	76,2 mm	
D ₂	91,5 mm	
D _{a max}	94 mm	
d _{a min}	71 mm	
r _{a max}	1 mm	
r _{min}	1,1 mm	
m	0,463 kg	Mass
C _r	30500 N	Basic dynamic load rating, radial
C _{0r}	25000 N	Basic static load rating, radial
n _G	4300 1/min	Limiting speed
n _B	0 1/min	Reference speed
C _{ur}	1270 N	Fatigue limit load, radial

6014-2RSR

Figure 1 , Figure 2

d	70 mm	
D	110 mm	
B	20 mm	
d ₁	82,8 mm	
D ₂	100 mm	
D _{a max}	104 mm	
d _{a min}	76 mm	
r _{a max}	1 mm	
r _{min}	1,1 mm	
m	0,64 kg	Mass
C _r	38000 N	Basic dynamic load rating, radial
C _{0r}	31000 N	Basic static load rating, radial
n _G	4000 1/min	Limiting speed
n _B	0 1/min	Reference speed
C _{ur}	1850 N	Fatigue limit load, radial

6015-2RSR

Figure 1 , Figure 2

d	75 mm	
D	115 mm	
B	20 mm	
d ₁	88,1 mm	
D ₂	105,3 mm	
D _{a max}	109 mm	
d _{a min}	81 mm	
r _{a max}	1 mm	
r _{min}	1,1 mm	
m	0,678 kg	Mass
C _r	39000 N	Basic dynamic load rating, radial
C _{0r}	33500 N	Basic static load rating, radial
n _G	3800 1/min	Limiting speed
n _B	0 1/min	Reference speed
C _{ur}	1960 N	Fatigue limit load, radial

6017-2RSR

Figure 1 , Figure 2

d	85 mm	
D	130 mm	
B	22 mm	
d ₁	99,2 mm	
D ₂	119,2 mm	
D _{a max}	124 mm	
d _{a min}	91 mm	
r _{a max}	1 mm	
r _{min}	1,1 mm	
m	0,942 kg	Mass
C _r	49000 N	Basic dynamic load rating, radial
C _{0r}	43000 N	Basic static load rating, radial
n _G	3200 1/min	Limiting speed
n _B	0 1/min	Reference speed
C _{ur}	2430 N	Fatigue limit load, radial

6018-2RSR

Figure 1 , Figure 2

d	90 mm	
D	140 mm	
B	24 mm	
d ₁	106,2 mm	
D ₂	126,8 mm	
D _{a max}	133 mm	
d _{a min}	97 mm	
r _{a max}	1,5 mm	
r _{min}	1,5 mm	
m	1,23 kg	Mass
C _r	58500 N	Basic dynamic load rating, radial
C _{0r}	50000 N	Basic static load rating, radial
n _G	3000 1/min	Limiting speed
n _B	0 1/min	Reference speed
C _{ur}	2650 N	Fatigue limit load, radial

6019-2RSR

Figure 1 , Figure 2

d	95 mm	
D	145 mm	
B	24 mm	
d ₁	110,6 mm	
D ₂	131,8 mm	
D _{a max}	138 mm	
d _{a min}	102 mm	
r _{a max}	1,5 mm	
r _{min}	1,5 mm	
m	1,29 kg	Mass
C _r	60000 N	Basic dynamic load rating, radial
C _{0r}	54000 N	Basic static load rating, radial
n _G	2800 1/min	Limiting speed
n _B	0 1/min	Reference speed
C _{ur}	2800 N	Fatigue limit load, radial

6020-2RSR

Figure 1 , Figure 2

d	100 mm	
D	150 mm	
B	24 mm	
d ₁	116,2 mm	
D ₂	137,3 mm	
D _{a max}	143 mm	
d _{a min}	107 mm	
r _{a max}	1,5 mm	
r _{min}	1,5 mm	
m	1,35 kg	Mass
C _r	60000 N	Basic dynamic load rating, radial
C _{0r}	54000 N	Basic static load rating, radial
n _G	2800 1/min	Limiting speed
n _B	0 1/min	Reference speed
C _{ur}	2700 N	Fatigue limit load, radial

6022-2RSR

Figure 1 , Figure 2

d	110 mm	
D	170 mm	
B	28 mm	
d ₁	128,7 mm	
D ₂	155 mm	
D _{a max}	161,2 mm	
d _{a min}	118,8 mm	
r _{a max}	2 mm	
r _{min}	2 mm	
m	2,13 kg	Mass
C _r	80000 N	Basic dynamic load rating, radial
C _{0r}	71000 N	Basic static load rating, radial
n _G	2400 1/min	Limiting speed
n _B	0 1/min	Reference speed
C _{ur}	3450 N	Fatigue limit load, radial

6024-2RSR

Figure 1 , Figure 2

d	120 mm	
D	180 mm	
B	28 mm	
d ₁	139,4 mm	
D ₂	165,4 mm	
D _{a max}	171,2 mm	
d _{a min}	128,8 mm	
r _{a max}	2 mm	
r _{min}	2 mm	
m	2,24 kg	Mass
C _r	83000 N	Basic dynamic load rating, radial
C _{0r}	78000 N	Basic static load rating, radial
n _G	2200 1/min	Limiting speed
n _B	0 1/min	Reference speed
C _{ur}	3550 N	Fatigue limit load, radial

6026-2RSR

Figure 1 , Figure 2

d	130 mm	
D	200 mm	
B	33 mm	
d ₁	152,9 mm	
D ₂	182,1 mm	
D _{a max}	191,2 mm	
d _{a min}	138,8 mm	
r _{a max}	2 mm	
r _{min}	2 mm	
m	3,43 kg	Mass
C _r	106000 N	Basic dynamic load rating, radial
C _{0r}	100000 N	Basic static load rating, radial
n _G	2000 1/min	Limiting speed
n _B	0 1/min	Reference speed
C _{ur}	4850 N	Fatigue limit load, radial

6032-2RSR

Figure 1 , Figure 2

d	160 mm	
D	240 mm	
B	38 mm	
d ₁	185,8 mm	
D ₂	219,7 mm	
D _{a max}	229,8 mm	
d _{a min}	170,2 mm	
r _{a max}	2,1 mm	
r _{min}	2,1 mm	
m	5,28 kg	Mass
C _r	134000 N	Basic dynamic load rating, radial
C _{0r}	137000 N	Basic static load rating, radial
n _G	1700 1/min	Limiting speed
n _B	0 1/min	Reference speed
C _{ur}	5800 N	Fatigue limit load, radial