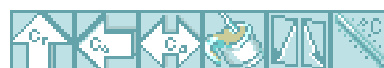
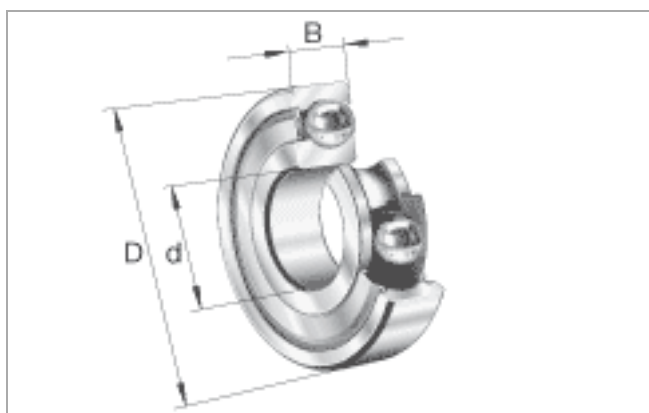




Deep groove ball bearings 63...-2Z

main dimensions to DIN 625-1, gap seals on both sides

The datasheet is only an overview of dimensions and basic load ratings for the selected series. Please ensure that you note all the guidance in these overview pages. Further information is given on many products under the menu item "Description". You can also request comprehensive information material via Catalogue selection (<http://www.fag.de/content.fag.de/en/services/mediathek/library/library.jsp>), by e-mail (sales_promotion@fag.de) or by telephone +49 (91 32) 82 - 28 97.



	d mm	D mm	B mm	
634-2Z		4	16	5
635-2Z		5	19	6
6300-2Z		10	35	11
6301-2Z		12	37	12
6302-2Z		15	42	13
6303-2Z		17	47	14
6304-2Z		20	52	15
6305-2Z		25	62	17
6306-2Z		30	72	19
6307-2Z		35	80	21
6308-2Z		40	90	23
6309-2Z		45	100	25
6310-2Z		50	110	27
6311-2Z		55	120	29
6312-2Z		60	130	31
	d mm	D mm	B mm	

	d mm	D mm	B mm	
6313-2Z		65	140	33
6314-2Z		70	150	35
6315-2Z		75	160	37
6316-2Z		80	170	39
6317-2Z		85	180	41
6318-2Z		90	190	43
6319-2Z		95	200	45
6320-2Z		100	215	47
6322-2Z		110	240	50
	d mm	D mm	B mm	

Figure 1

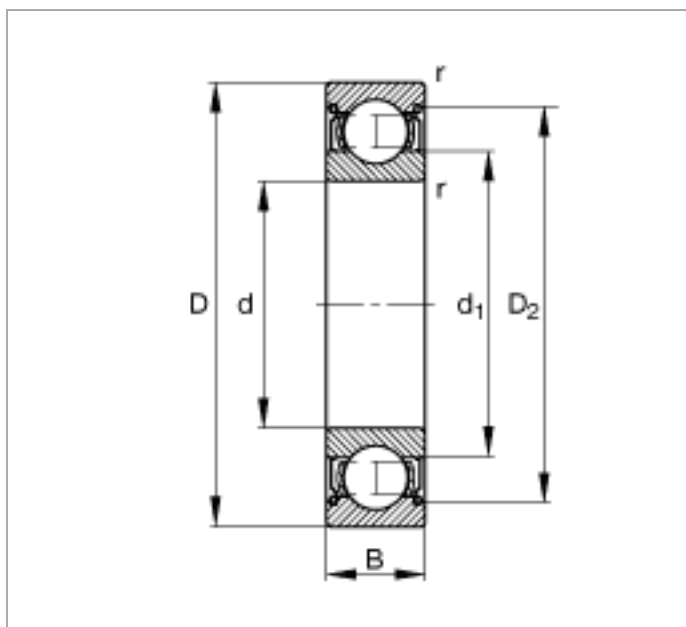
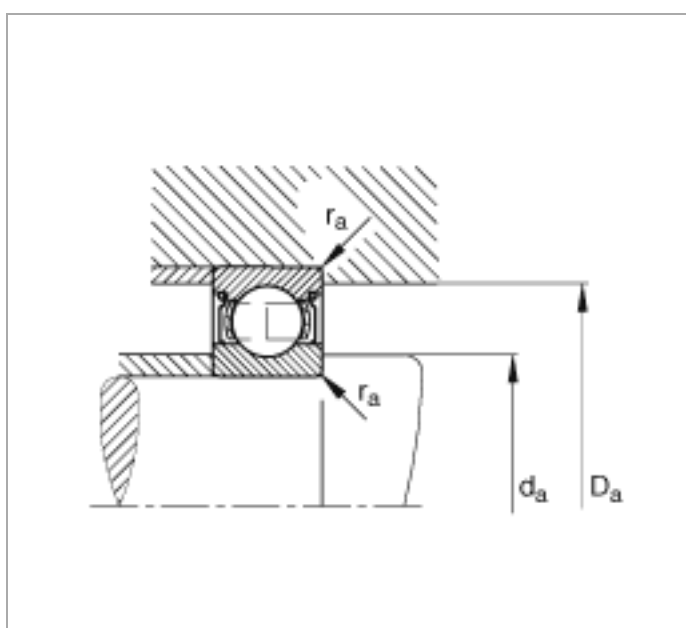


Figure 2



634-2Z

Figure 1 , Figure 2

d	4 mm	
D	16 mm	
B	5 mm	
d ₁	8,5 mm	
D ₂	13,2 mm	
D _{a max}	13,6 mm	
d _{a min}	6,4 mm	
r _{a max}	0,3 mm	
r _{min}	0,3 mm	
m	0,0060 kg	Mass
C _r	1730 N	Basic dynamic load rating, radial
C _{0r}	670 N	Basic static load rating, radial
n _G	36000 1/min	Limiting speed
n _B	32500 1/min	Reference speed
C _{ur}	35,5 N	Fatigue limit load, radial

635-2Z

Figure 1 , Figure 2

d	5 mm	
D	19 mm	
B	6 mm	
d ₁	10,8 mm	
D ₂	16,7 mm	
D _{a max}	16,6 mm	
d _{a min}	7,4 mm	
r _{a max}	0,3 mm	
r _{min}	0,3 mm	
m	0,0080 kg	Mass
C _r	2600 N	Basic dynamic load rating, radial
C _{0r}	1060 N	Basic static load rating, radial
n _G	32000 1/min	Limiting speed
n _B	27500 1/min	Reference speed
C _{ur}	53 N	Fatigue limit load, radial

6300-2Z

Figure 1 , Figure 2

d	10 mm	
D	35 mm	
B	11 mm	
d ₁	18,1 mm	
D ₂	28,6 mm	
D _{a max}	30,8 mm	
d _{a min}	14,2 mm	
r _{a max}	0,6 mm	
r _{min}	0,6 mm	
m	0,057 kg	Mass
C _r	8150 N	Basic dynamic load rating, radial
C _{0r}	3450 N	Basic static load rating, radial
n _G	22000 1/min	Limiting speed
n _B	21100 1/min	Reference speed
C _{ur}	230 N	Fatigue limit load, radial

6301-2Z

Figure 1 , Figure 2

d	12 mm	
D	37 mm	
B	12 mm	
d ₁	19,5 mm	
D ₂	31,4 mm	
D _{a max}	31,4 mm	
d _{a min}	17,6 mm	
r _{a max}	1 mm	
r _{min}	1 mm	
m	0,064 kg	Mass
C _r	9650 N	Basic dynamic load rating, radial
C _{0r}	4150 N	Basic static load rating, radial
n _G	20000 1/min	Limiting speed
n _B	20000 1/min	Reference speed
C _{ur}	280 N	Fatigue limit load, radial

6302-2Z

Figure 1 , Figure 2

d	15 mm	
D	42 mm	
B	13 mm	
d ₁	23,6 mm	
D ₂	35 mm	
D _{a max}	36,4 mm	
d _{a min}	20,6 mm	
r _{a max}	1 mm	
r _{min}	1 mm	
m	0,09 kg	Mass
C _r	11400 N	Basic dynamic load rating, radial
C _{0r}	5400 N	Basic static load rating, radial
n _G	18000 1/min	Limiting speed
n _B	17500 1/min	Reference speed
C _{ur}	350 N	Fatigue limit load, radial

6303-2Z

Figure 1 , Figure 2

d	17 mm	
D	47 mm	
B	14 mm	
d ₁	26,2 mm	
D ₂	39,3 mm	
D _{a max}	41,4 mm	
d _{a min}	22,6 mm	
r _{a max}	1 mm	
r _{min}	1 mm	
m	0,117 kg	Mass
C _r	13400 N	Basic dynamic load rating, radial
C _{0r}	6550 N	Basic static load rating, radial
n _G	16000 1/min	Limiting speed
n _B	15900 1/min	Reference speed
C _{ur}	425 N	Fatigue limit load, radial

6304-2Z

Figure 1 , Figure 2

d	20 mm	
D	52 mm	
B	15 mm	
d ₁	30,3 mm	
D ₂	44,4 mm	
D _{a max}	45 mm	
d _{a min}	27 mm	
r _{a max}	1 mm	
r _{min}	1,1 mm	
m	0,155 kg	Mass
C _r	16000 N	Basic dynamic load rating, radial
C _{0r}	7800 N	Basic static load rating, radial
n _G	14000 1/min	Limiting speed
n _B	14400 1/min	Reference speed
C _{ur}	530 N	Fatigue limit load, radial

6305-2Z

Figure 1 , Figure 2

d	25 mm	
D	62 mm	
B	17 mm	
d ₁	36,4 mm	
D ₂	52,5 mm	
D _{a max}	55 mm	
d _{a min}	32 mm	
r _{a max}	1 mm	
r _{min}	1,1 mm	
m	0,24 kg	Mass
C _r	22400 N	Basic dynamic load rating, radial
C _{0r}	11400 N	Basic static load rating, radial
n _G	11000 1/min	Limiting speed
n _B	12300 1/min	Reference speed
C _{ur}	750 N	Fatigue limit load, radial

6306-2Z

Figure 1 , Figure 2

d	30 mm	
D	72 mm	
B	19 mm	
d ₁	44,6 mm	
D ₂	61,6 mm	
D _{a max}	65 mm	
d _{a min}	37 mm	
r _{a max}	1 mm	
r _{min}	1,1 mm	
m	0,363 kg	Mass
C _r	29000 N	Basic dynamic load rating, radial
C _{0r}	16300 N	Basic static load rating, radial
n _G	9500 1/min	Limiting speed
n _B	10500 1/min	Reference speed
C _{ur}	1020 N	Fatigue limit load, radial

6307-2Z

Figure 1 , Figure 2

d	35 mm	
D	80 mm	
B	21 mm	
d ₁	49,3 mm	
D ₂	67,6 mm	
D _{a max}	71 mm	
d _{a min}	44 mm	
r _{a max}	1,5 mm	
r _{min}	1,5 mm	
m	0,481 kg	Mass
C _r	33500 N	Basic dynamic load rating, radial
C _{0r}	19000 N	Basic static load rating, radial
n _G	8500 1/min	Limiting speed
n _B	9900 1/min	Reference speed
C _{ur}	1250 N	Fatigue limit load, radial

6308-2Z

Figure 1 , Figure 2

d	40 mm	
D	90 mm	
B	23 mm	
d ₁	55,6 mm	
D ₂	76,5 mm	
D _{a max}	81 mm	
d _{a min}	49 mm	
r _{a max}	1,5 mm	
r _{min}	1,5 mm	
m	0,654 kg	Mass
C _r	42500 N	Basic dynamic load rating, radial
C _{0r}	25000 N	Basic static load rating, radial
n _G	7500 1/min	Limiting speed
n _B	9000 1/min	Reference speed
C _{ur}	1640 N	Fatigue limit load, radial

6309-2Z

Figure 1 , Figure 2

d	45 mm	
D	100 mm	
B	25 mm	
d ₁	62 mm	
D ₂	85,6 mm	
D _{a max}	91 mm	
d _{a min}	54 mm	
r _{a max}	1,5 mm	
r _{min}	1,5 mm	
m	0,869 kg	Mass
C _r	53000 N	Basic dynamic load rating, radial
C _{0r}	31500 N	Basic static load rating, radial
n _G	6700 1/min	Limiting speed
n _B	8200 1/min	Reference speed
C _{ur}	2180 N	Fatigue limit load, radial

6310-2Z

Figure 1 , Figure 2

d	50 mm	
D	110 mm	
B	27 mm	
d ₁	68 mm	
D ₂	95,1 mm	
D _{a max}	99 mm	
d _{a min}	61 mm	
r _{a max}	2 mm	
r _{min}	2 mm	
m	1,12 kg	Mass
C _r	62000 N	Basic dynamic load rating, radial
C _{0r}	38000 N	Basic static load rating, radial
n _G	6000 1/min	Limiting speed
n _B	7700 1/min	Reference speed
C _{ur}	2600 N	Fatigue limit load, radial

6311-2Z

Figure 1 , Figure 2

d	55 mm	
D	120 mm	
B	29 mm	
d ₁	75,2 mm	
D ₂	104,3 mm	
D _{a max}	109 mm	
d _{a min}	66 mm	
r _{a max}	2 mm	
r _{min}	2 mm	
m	1,43 kg	Mass
C _r	76500 N	Basic dynamic load rating, radial
C _{0r}	47500 N	Basic static load rating, radial
n _G	5300 1/min	Limiting speed
n _B	7100 1/min	Reference speed
C _{ur}	3050 N	Fatigue limit load, radial

6312-2Z

Figure 1 , Figure 2

d	60 mm	
D	130 mm	
B	31 mm	
d ₁	81,3 mm	
D ₂	113,1 mm	
D _{a max}	118 mm	
d _{a min}	72 mm	
r _{a max}	2,1 mm	
r _{min}	2,1 mm	
m	1,79 kg	Mass
C _r	81500 N	Basic dynamic load rating, radial
C _{0r}	52000 N	Basic static load rating, radial
n _G	5000 1/min	Limiting speed
n _B	6700 1/min	Reference speed
C _{ur}	3400 N	Fatigue limit load, radial

6313-2Z

Figure 1 , Figure 2

d	65 mm	
D	140 mm	
B	33 mm	
d ₁	88,3 mm	
D ₂	122,2 mm	
D _{a max}	128 mm	
d _{a min}	77 mm	
r _{a max}	2,1 mm	
r _{min}	2,1 mm	
m	2,18 kg	Mass
C _r	93000 N	Basic dynamic load rating, radial
C _{0r}	60000 N	Basic static load rating, radial
n _G	4500 1/min	Limiting speed
n _B	6400 1/min	Reference speed
C _{ur}	3950 N	Fatigue limit load, radial

6314-2Z

Figure 1 , Figure 2

d	70 mm	
D	150 mm	
B	35 mm	
d ₁	94,8 mm	
D ₂	130,2 mm	
D _{a max}	138 mm	
d _{a min}	82 mm	
r _{a max}	2,1 mm	
r _{min}	2,1 mm	
m	2,6 kg	Mass
C _r	104000 N	Basic dynamic load rating, radial
C _{0r}	68000 N	Basic static load rating, radial
n _G	4300 1/min	Limiting speed
n _B	6100 1/min	Reference speed
C _{ur}	4450 N	Fatigue limit load, radial

6315-2Z

Figure 1 , Figure 2

d	75 mm	
D	160 mm	
B	37 mm	
d ₁	101,4 mm	
D ₂	137,2 mm	
D _{a max}	148 mm	
d _{a min}	87 mm	
r _{a max}	2,1 mm	
r _{min}	2,1 mm	
m	3,23 kg	Mass
C _r	114000 N	Basic dynamic load rating, radial
C _{0r}	76500 N	Basic static load rating, radial
n _G	4000 1/min	Limiting speed
n _B	5800 1/min	Reference speed
C _{ur}	4650 N	Fatigue limit load, radial

6316-2Z

Figure 1 , Figure 2

d	80 mm	
D	170 mm	
B	39 mm	
d ₁	108,2 mm	
D ₂	145,5 mm	
D _{a max}	158 mm	
d _{a min}	92 mm	
r _{a max}	2,1 mm	
r _{min}	2,1 mm	
m	3,82 kg	Mass
C _r	122000 N	Basic dynamic load rating, radial
C _{0r}	86500 N	Basic static load rating, radial
n _G	3800 1/min	Limiting speed
n _B	5500 1/min	Reference speed
C _{ur}	5200 N	Fatigue limit load, radial

6317-2Z

Figure 1 , Figure 2

d	85 mm	
D	180 mm	
B	41 mm	
d ₁	114 mm	
D ₂	154,9 mm	
D _{a max}	166 mm	
d _{a min}	99 mm	
r _{a max}	2,5 mm	
r _{min}	3 mm	
m	4,33 kg	Mass
C _r	132000 N	Basic dynamic load rating, radial
C _{0r}	96500 N	Basic static load rating, radial
n _G	3400 1/min	Limiting speed
n _B	5300 1/min	Reference speed
C _{ur}	5800 N	Fatigue limit load, radial

6318-2Z

Figure 1 , Figure 2

d	90 mm	
D	190 mm	
B	43 mm	
d ₁	123,3 mm	
D ₂	160,7 mm	
D _{a max}	176 mm	
d _{a min}	104 mm	
r _{a max}	2,5 mm	
r _{min}	3 mm	
m	5,53 kg	Mass
C _r	134000 N	Basic dynamic load rating, radial
C _{0r}	102000 N	Basic static load rating, radial
n _G	3400 1/min	Limiting speed
n _B	5100 1/min	Reference speed
C _{ur}	5800 N	Fatigue limit load, radial

6319-2Z

Figure 1 , Figure 2

d	95 mm	
D	200 mm	
B	45 mm	
d ₁	128,7 mm	
D ₂	170,4 mm	
D _{a max}	186 mm	
d _{a min}	109 mm	
r _{a max}	2,5 mm	
r _{min}	3 mm	
m	7,14 kg	Mass
C _r	146000 N	Basic dynamic load rating, radial
C _{0r}	114000 N	Basic static load rating, radial
n _G	3200 1/min	Limiting speed
n _B	4950 1/min	Reference speed
C _{ur}	6400 N	Fatigue limit load, radial

6320-2Z

Figure 1 , Figure 2

d	100 mm	
D	215 mm	
B	47 mm	
d ₁	138,1 mm	
D ₂	184,6 mm	
D _{a max}	201 mm	
d _{a min}	114 mm	
r _{a max}	2,5 mm	
r _{min}	3 mm	
m	7,78 kg	Mass
C _r	163000 N	Basic dynamic load rating, radial
C _{0r}	134000 N	Basic static load rating, radial
n _G	3000 1/min	Limiting speed
n _B	4600 1/min	Reference speed
C _{ur}	7400 N	Fatigue limit load, radial

6322-2Z

Figure 1 , Figure 2

d	110 mm	
D	240 mm	
B	50 mm	
d ₁	152,9 mm	
D ₂	203,1 mm	
D _{a max}	226 mm	
d _{a min}	124 mm	
r _{a max}	2,5 mm	
r _{min}	3 mm	
m	10,5 kg	Mass
C _r	190000 N	Basic dynamic load rating, radial
C _{0r}	166000 N	Basic static load rating, radial
n _G	2600 1/min	Limiting speed
n _B	4150 1/min	Reference speed
C _{ur}	8600 N	Fatigue limit load, radial