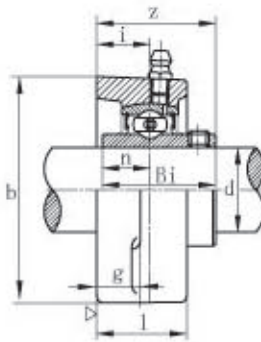
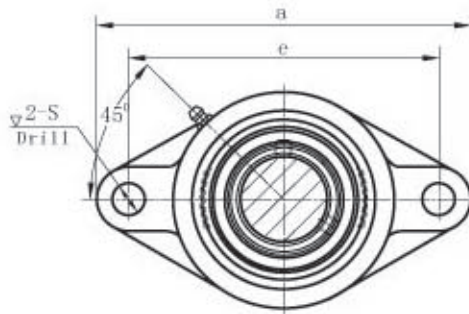


Flange Units (Oval)

菱形座



SR type seal



TRL type seal

UCFL 200

normal-duty

带座轴承代号 Bearing unit	轴径 Shaft Dia.	外形尺寸 (英寸) 或 (毫米) Dimensions (in./mm)											螺栓 Bolt used	轴承代号 Bearing	座代号 Housing	重量 Weight	
	(in.) (mm)													(mm) (in.)			(kg)
UCFL 201 201-8	12 1/2	4 7/16 113	3 35/64 90	19/32 15	15/32 12	1 25.5	15/32 12	2 3/8 60	1 5/16 33.3	1.2205 31.0	0.5000 12.7	M10	3/8	UC 201 201-8	FL 201	0.49	
UCFL 202 202-10	15 5/8	4 7/16 113	3 35/64 90	19/32 15	15/32 12	1 25.5	15/32 12	2 3/8 60	1 5/16 33.3	1.2205 31.0	0.5000 12.7	M10	3/8	UC 202 202-10	FL 202	0.49	
UCFL 203 203-11	17 11/16	4 7/16 113	3 35/64 90	19/32 15	15/32 12	1 25.5	15/32 12	2 3/8 60	1 5/16 33.3	1.2205 31.0	0.5000 12.7	M10	3/8	UC 203 203-11	FL 203	0.49	
UCFL 204-12 204	20 3/4	4 7/16 113	3 35/64 90	19/32 15	15/32 12	1 25.5	15/32 12	2 3/8 60	1 5/16 33.3	1.2205 31.0	0.5000 12.7	M10	3/8	UC 204-12 204	FL 204	0.49	
UCFL 205-14 205-15 205	25 1 3/16	5 1/8 130	3 57/64 99	5/8 16	9/16 14	1 1/16 27	5/8 16	2 11/16 68	1 13/32 35.7	1.3386 34.0	0.5630 14.3	M14	1/2	UC 205-14 205-15 205	FL 205	0.63	
UCFL 206-18 206 206-19 206-20	30 1 3/8 1 1/2	5 13/16 148	4 39/64 117	45/64 18	9/16 14	1 7/32 31	5/8 16	3 5/32 80	1 19/32 40.2	1.5000 38.1	0.6260 15.9	M14	1/2	UC 206-18 206 206-19 206-20	FL 206	0.94	
UCFL 207-20 207-21 207-22 207	35 1 1/4 1 1/2	6 1/32 161	5 1/8 130	3/4 19	5/8 16	1 1/32 34	5/8 16	3 17/32 90	1 3/4 44.4	1.6890 42.9	0.6890 17.5	M14	1/2	UC 207-20 207-21 207-22 207	FL 207	1.2	
UCFL 208-24 208-25 208	40 1 1/2 1 3/8	6 7/8 175	5 43/64 144	53/64 21	5/8 16	1 13/32 36	5/8 16	3 15/16 100	2 1/64 51.2	1.9370 49.2	0.7480 19.0	M14	1/2	UC 208-24 208-25 208	FL 208	1.6	
UCFL 209-26 209-27 209-28 209	45 1 5/8 1 11/16 1 3/4	7 13/32 188	5 53/64 148	55/64 22	23/32 18	1 1/2 38	3/4 19	4 1/4 108	2 1/16 52.2	1.9370 49.2	0.7480 19.0	M16	5/8	UC 209-26 209-27 209-28 209	FL 209	1.9	
UCFL 210-30 210-31 210	50 1 7/8 1 5/8	7 3/4 197	6 3/16 157	55/64 22	23/32 18	1 9/16 40	3/4 19	4 17/32 115	2 2/32 54.6	2.0315 51.6	0.7480 19.0	M16	5/8	UC 210-30 210-31 210	FL 210	2.2	
UCFL 211-32 211-34 211	55 2 1/8	8 13/16 224	7 1/4 184	63/64 25	25/32 20	1 11/16 43	3/4 19	5 1/8 130	2 19/64 55.6	2.1890 55.6	0.8740 22.2	M16	5/8	UC 211-32 211-34 211	FL 211	3.2	
UCFL 212-36 212 212-38 212-39	60 2 3/8 2 1/2	9 27/32 250	8 61/64 202	1 9/64 29	25/32 20	1 7/8 48	29/32 23	5 1/2 140	4 45/64 88.7	2.5630 65.1	1.0000 25.4	M 20	3/4	UC 212-36 212 212-38 212-39	FL 212	4.1	
UCFL 213-40 213	65 2 1/2	10 5/32 258	8 17/64 210	1 3/16 30	15/16 24	1 31/32 50	29/32 23	6 3/32 155	2 3/4 69.7	2.5630 65.1	1.0000 25.4	M 20	3/4	UC 213-40 213	FL 213	5.1	
UCFL 214-44 214	70 2 3/4	10 7/16 265	8 1/2 216	1 7/32 31	15/16 24	1 2 1/8 54	29/32 23	6 5/16 160	2 31/32 75.4	2.9370 74.6	1.1890 30.2	M 20	3/4	UC 214-44 214	FL 214	5.9	
UCFL 215 215-48	75 3	10 13/16 275	8 55/64 225	1 1/32 34	15/16 24	1 23/64 56	29/32 23	6 1/2 165	3 3/32 78.5	3.0630 77.8	1.3110 33.3	M 20	3/4	UC 215 215-48	FL 215	6.4	
UCFL 216 216-50	80 3 1/8	11 13/32 290	9 1/64 233	1 1/32 34	15/16 24	2 2/32 58	63/64 25	7 3/32 180	3 3/32 83.3	3.2520 82.6	1.3110 33.3	M 22	7/8	UC 216 216-50	FL 216	7.9	
UCFL 217-52 217	85 3 1/4	12 9/16 305	9 49/64 248	1 27/64 36	1 1/32 26	2 15/32 63	63/64 25	7 19/32 190	3 7/16 87.6	3.3740 85.7	1.3425 34.1	M 22	7/8	UC 217-52 217	FL 217	9.6	
UCFL 218-56 218	90 3 1/2	12 19/32 320	10 7/16 265	1 37/64 40	1 1/32 26	2 43/64 68	63/64 25	8 1/16 205	3 5/64 96.3	3.7795 96.0	1.5630 39.7	M 22	7/8	UC 218-56 218	FL 218	12.1	