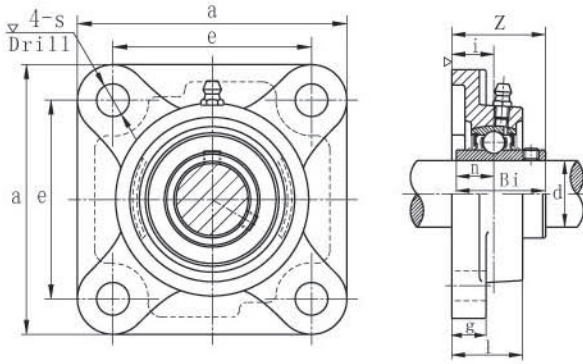


Flange Units (Square)

方形座



TRL type seal



SR type seal

UCF 200

normal-duty

带座轴承代号 Bearing unit	轴径 Shaft Dia.	外形尺寸 (英寸) 或 (毫米) Dimensions (in) or (mm)										螺栓 Bolt used	轴承代号 Bearing	座代号 Housing	重量 Weight
No.	d	a	e	i	g	l	s	Z	Bi	n	No.	No.	(kg)		
	(in.) (mm)											(mm) (in.)			
UCF 201	12	3 3/8	33/64	19/32	15/32	1	15/32	5/16	1.2205	0.5000					
201-8	1/2	86	64	15	12	25.5	12	33.3	31.0	12.7	M10	3/8	UC 201 201-8	F 201	0.63
UCF 202	15	3 3/8	33/64	19/32	15/32	1	15/32	5/16	1.2205	0.5000					
202-10	5/8	86	64	15	12	25.5	12	33.3	31.0	12.7	M10	3/8	UC 202 202-10	F 202	0.63
UCF 203	17	3 3/8	33/64	19/32	15/32	1	15/32	5/16	1.2205	0.5000					
203-11	11/16	86	64	15	12	25.5	12	33.3	31.0	12.7	M10	3/8	UC 203 203-11	F 203	0.63
UCF 204-12	20	3 3/8	33/64	19/32	15/32	1	15/32	5/16	1.2205	0.5000					
204	3/4	86	64	15	12	25.5	12	33.3	31.0	12.7	M10	3/8	UC 204-12 204	F 204	0.63
UCF 205-14	25	3 3/4	2 3/4	5/8	9/16	1 1/16	15/32	13/32	1.3386	0.5630					
205-15	15/16	95	70	16	14	27	12	35.7	34	14.3	M10	3/8	UC 205-14 205-15	F 205	0.82
205													205-16		
UCF 206-18	30	4 1/4	3 1/4	45/64	9/16	1 1/32	15/32	1 1/32	1.5000	0.6260					
206	1 1/8	108	83	18	14	31	12	40.2	38.1	15.9	M10	3/8	UC 206-18 206	F 206	1.10
206-19	1 3/16												206-19		
206-20	1 1/4												206-20		
UCF 207-20	35	4 9/32	3 5/8	3/4	5/8	1 1/32	35/64	1 3/4	1.6890	0.6890					
207-21	1 5/16	117	92	19	16	34	14	44.4	42.9	17.5	M12	7/16	UC 207-20 207-21	F 207	1.5
207-22	1 3/8												207-22		
207													207		
207-23	1 7/16												207-23		
UCF 208-24	40	5 1/8	4 1/64	53/64	5/8	1 13/32	5/8	2 1/64	1.9370	0.7480					
208-25	1 1/2	130	102	21	16	36	16	51.2	49.2	19.0	M14	1/2	UC 208-24 208-25	F 208	1.9
208	1 1/16												208		
UCF 209-26	45	5 13/32	4 9/64	55/64	23/32	1 1/2	5/8	2 1/16	1.9370	0.7480					
209-27	1 5/8	137	105	22	18	38	16	52.2	49.2	19.0	M14	1/2	UC 209-26 209-27	F 209	2.3
209-28	1 11/16												209-28		
209	1 3/4												209		
UCF 210-30	50	5 5/8	4 3/8	55/64	23/32	1 9/16	5/8	2 5/32	2.0315	0.7480					
210-31	1 7/8	143	111	22	18	40	16	54.6	51.6	19.0	M14	1/2	UC 210-30 210-31	F 210	2.5
210	1 15/16												210		
210-32	2												210-32		
UCF 211-32	55	6 3/8	5 1/8	63/64	25/32	1 11/16	3/4	2 19/64	2.1890	0.8740					
211-34	2 1/8	162	130	25	20	43	19	58.4	55.6	22.2	M16	5/8	UC 211-32 211-34	F 211	3.4
211	2 3/16												211		
211-35	2 1/4												211-35		
UCF 212-36	60	6 7/8	5 5/8	1 9/64	25/32	1 7/8	3/4	45/64	2.5630	1.0000					
212	2 1/4	175	143	29	20	48	19	68.7	65.1	25.4	M16	5/8	UC 212-36 212	F 212	4.4
212-38	2 3/8												212-38		
212-39	2 7/16												212-39		
UCF 213-40	65	7 3/8	5 55/64	1 3/16	25/32	31/32	3/4	2 3/4	2.5630	1.0000					
213	2 1/2	187	149	30	20	50	19	69.7	65.1	25.4	M16	5/8	UC 213-40 213	F 213	5.3
UCF 214-44	70	7 19/32	5 63/64	1 7/32	15/16	2 1/8	3/4	2 31/32	2.9370	1.1890					
214	2 3/4	193	152	31	24	54	19	75.4	74.6	30.2	M16	5/8	UC 214-44 214	F 214	6.0
UCF 215	75	7 7/8	6 17/64	1 11/32	15/16	13/16	3/4	3 3/32	3.0630	1.3110					
215-47	2 15/16	200	159	34	24	56	19	78.5	77.8	33.3	M16	5/8	UC 215 215-47	F 215	6.6
215-48	3												215-48		
UCF 216	80	8 3/16	6 1/2	1 1/32	15/16	2 9/32	29/32	3 9/32	3.2520	1.3110					
216-50	3 1/8	208	165	34	24	58	23	83.3	82.6	33.3	M20	3/4	UC 216 216-50	F 216	7.5
UCF 217-52	85	8 21/32	6 57/64	1 1/64	1 1/32	2 3/32	29/32	3 7/16	3.3740	1.3425					
217	3 1/4	220	175	36	26	63	23	87.6	85.7	34.1	M20	3/4	UC 217-52 217	F 217	9.1
UCF 218-56	90	9 1/4	7 23/64	1 37/64	1 1/32	43/64	29/32	5 1/64	3.7795	1.5630					
218	3 1/2	235	187	40	26	68	23	96.3	96.0	39.7	M20	3/4	UC 218-56 218	F 218	11.3