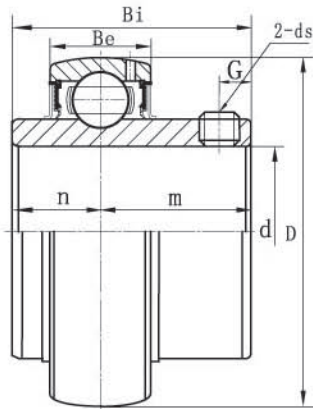


Ball Bearings(with setscrews)

带顶丝外球面球轴承



SR type seal



TRL type seal

UC 200

(normal-duty)

轴承代号 Bearing	轴径 Shaft Dia.	外形尺寸 (英寸) 或 (毫米) Dimensions(in)or(mm)								额定动负荷 Basic Dynamic Load Rating	额定静负荷 Basic Static Load Rating	重量 Weight
No.	d	D	Bi	Be	n	m	G	ds		(kN)	(kN)	(kg)
	(in) (mm)											
UC 201 201-8	1/2	12	1.8504 47	1.2205 31.0	0.6693 17	0.5000 12.7	0.7205 18.3	0.1772 4.5	1/4 -28UNF M6X1.0	1000	630	0.21 0.21
UC 202 202-10	5/8	15	1.8504 47	1.2205 31.0	0.6693 17	0.5000 12.7	0.7205 18.3	0.1772 4.5	1/4 -28UNF M6X1.0	1000	630	0.19 0.19
UC 203 203-11	11/16	17	1.8504 47	1.2205 31.0	0.6693 17	0.5000 12.7	0.7205 18.3	0.1772 4.5	1/4 -28UNF M6X1.0	1000	630	0.18
UC 204-12 204	3/4	20	1.8504 47	1.2205 31.0	0.6693 17	0.5000 12.7	0.7205 18.3	0.1772 4.5	1/4 -28UNF M6X1.0	1000	630	0.16 0.16
UC 205-14 205-15 205 205-16	7/8 15/16 1	25	2.0472 52	1.3386 34	0.6693 17	0.5630 14.3	0.7760 19.7	0.2165 5.5	1/4 -28UNF M6X1.0	1100	710	0.23 0.21 0.20 0.20
UC 206-18 206 206-19 206-20	1 1/8 1 3/16 1 1/4	30	2.4409 62	1.5000 38.1	0.7480 19	0.6260 15.9	0.8740 22.2	0.2362 6	1/4 -28UNF M6X1.0	1520	1020	0.34 0.32 0.32
UC 207-20 207-21 207-22 207 207-23	1 1/4 1 5/16 1 3/8 1 7/16	35	2.8346 72	1.8890 42.9	0.7874 20	0.6890 17.5	1.0000 25.4	0.2559 6.5	5/16 -24UNF M8X1.0	2010	1390	0.54 0.51 0.48 0.46 0.45
UC 208-24 208-25 208	1 1/2 1 9/16	40	3.1496 80	1.9370 49.2	0.8268 21	0.7480 19.0	1.1890 30.2	0.3150 8	5/16 -24UNF M8X1.0	2560	1810	0.68 0.65 0.62
UC 209-26 209-27 209-28 209	1 5/8 1 11/16 1 3/4	45	3.3465 85	1.9370 49.2	0.8661 22	0.7480 19.0	1.1890 30.2	0.3150 8	5/16 -24UNF M8X1.0	2560	1800	0.78 0.74 0.70 0.68
UC 210-30 210-31 210 210-32	1 5/8 1 11/16 2	50	3.5433 90	2.0315 51.6	0.9449 24	0.7480 19.0	1.2835 32.6	0.3937 10	3/8 -24UNF M10X1.0	2750	2020	0.84 0.79 0.76
UC 211-32 211-34 211 211-35	2 2 1/8 2 3/16	55	3.9370 100	2.1890 55.6	0.9843 25	0.8740 22.2	1.3150 33.4	0.3937 10	3/8 -24UNF M10X1.0	3400	2550	1.26 1.15 1.01 1.09
UC 212-36 212 212-38 212-39	2 1/4 2 3/8 2 7/16	60	4.3307 110	2.5630 65.1	1.0630 27	1.0000 25.4	1.5630 39.7	0.3937 10	3/8 -24UNF M6X1.0	4100	3150	1.60 1.45 1.45 1.33
UC 213-40 213	2 1/2	65	4.7244 120	2.5630 65.1	1.1024 28	1.0000 25.4	1.5630 39.7	0.3937 10	3/8 -24UNF M10X1.0	4480	3470	1.94 1.80
UC 214-44 214	2 3/4	70	4.9213 125	2.9370 74.6	1.1811 30	1.1890 30.2	1.7480 44.4	0.4724 12	7/16 -20UNF M12X1.5	4870	3810	2.06 1.99
UC 215 215-47 215-48	2 5/16 2	75	5.1181 130	3.0630 77.8	1.1811 30	1.3110 33.3	1.7520 44.5	0.4724 12	7/16 -20UNF M12X1.5	5190	4190	2.19 2.12
UC 216 216-50	3 1/8	80	5.5118 140	3.2520 82.6	1.2992 33	1.3110 33.3	1.9410 49.3	0.5512 14	7/16 -20UNF M12X1.5	5700	4550	2.72
UC 217-52 217	3 1/4	85	5.9055 150	3.3740 85.7	1.3780 35	1.3425 34.1	2.0315 51.6	0.5512 14	7/16 -20UNF M12X1.5	6600	5320	3.66 3.45
UC 218-56 218	3 1/2	90	6.2992 160	3.7795 96.0	1.4567 37	1.5630 39.7	2.2165 56.3	0.5512 14	1/2 -20UNF M12X1.5	7500	6170	4.46 4.35