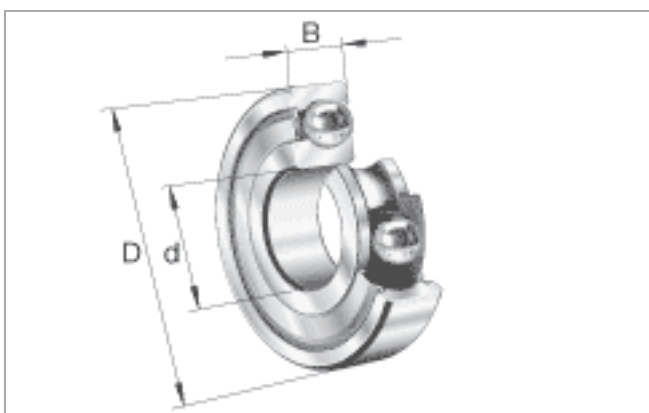




Deep groove ball bearings 62..-2Z

main dimensions to DIN 625-1, gap seals on both sides

The datasheet is only an overview of dimensions and basic load ratings for the selected series. Please ensure that you note all the guidance in these overview pages. Further information is given on many products under the menu item "Description". You can also request comprehensive information material via Catalogue selection (<http://www.fag.de/content.fag.de/en/services/mediathek/library/library.jsp>), by e-mail (sales_promotion@fag.de) or by telephone +49 (91 32) 82 - 28 97.



	d mm	D mm	B mm	
623-2Z		3	10	4
624-2Z		4	13	5
625-2Z		5	16	5
626-2Z		6	19	6
627-2Z		7	22	7
629-2Z		9	26	8
6200-2Z		10	30	9
6201-2Z		12	32	10
6202-2Z		15	35	11
6203-2Z		17	40	12
6204-2Z		20	47	14
6205-2Z		25	52	15
6206-2Z		30	62	16
6207-2Z		35	72	17
6208-2Z		40	80	18
	d mm	D mm	B mm	

	d mm	D mm	B mm	
6209-2Z		45	85	19
6210-2Z		50	90	20
6211-2Z		55	100	21
6212-2Z		60	110	22
6213-2Z		65	120	23
6214-2Z		70	125	24
6215-2Z		75	130	25
6216-2Z		80	140	26
6217-2Z		85	150	28
6218-2Z		90	160	30
6219-2Z		95	170	32
6220-2Z		100	180	34
6221-2Z		105	190	36
6222-2Z		110	200	38
6224-2Z		120	215	40
6226-2Z		130	230	40
	d mm	D mm	B mm	

Figure 1

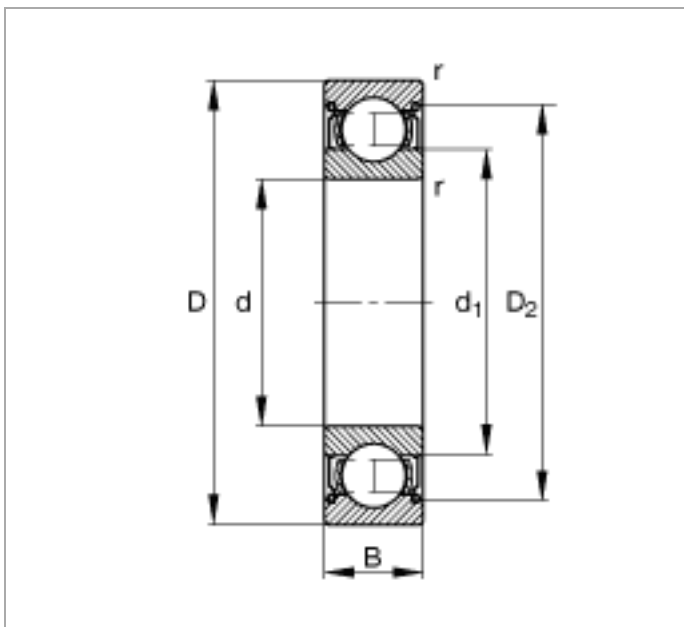
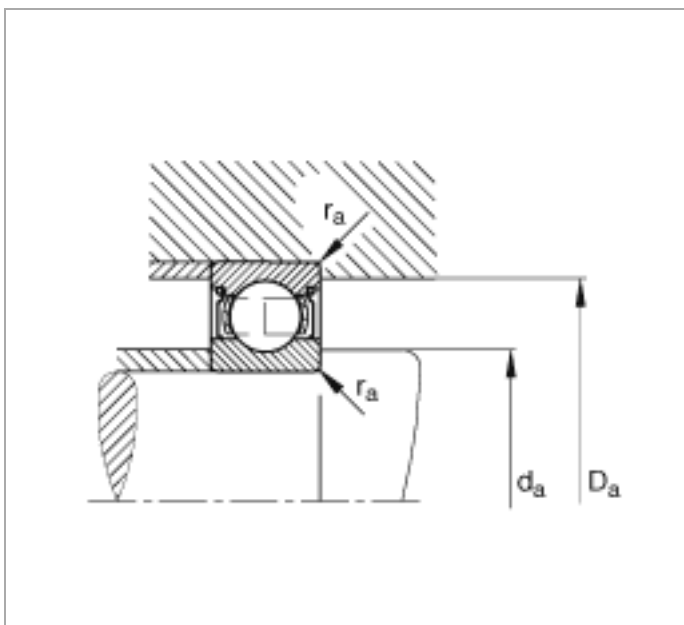


Figure 2



623-2Z

Figure 1 , Figure 2

d	3 mm	
D	10 mm	
B	4 mm	
d ₁	5 mm	
D ₂	8,2 mm	
D _{a max}	8,6 mm	
d _{a min}	4,4 mm	
r _{a max}	0,15 mm	
r _{min}	0,15 mm	
m	0,0010 kg	Mass
C _r	640 N	Basic dynamic load rating, radial
C _{0r}	224 N	Basic static load rating, radial
n _G	45000 1/min	Limiting speed
n _B	67000 1/min	Reference speed

624-2Z

Figure 1 , Figure 2

d	4 mm	
D	13 mm	
B	5 mm	
d ₁	7 mm	
D ₂	11,2 mm	
D _{a max}	11,2 mm	
d _{a min}	5,8 mm	
r _{a max}	0,2 mm	
r _{min}	0,2 mm	
m	0,0040 kg	Mass
C _r	1290 N	Basic dynamic load rating, radial
C _{0r}	490 N	Basic static load rating, radial
n _G	38000 1/min	Limiting speed
n _B	44500 1/min	Reference speed
C _{ur}	24,6 N	Fatigue limit load, radial

625-2Z

Figure 1 , Figure 2

d	5 mm	
D	16 mm	
B	5 mm	
d ₁	8,5 mm	
D ₂	13,2 mm	
D _{a max}	13,6 mm	
d _{a min}	7,4 mm	
r _{a max}	0,3 mm	
r _{min}	0,3 mm	
m	0,0050 kg	Mass
C _r	1320 N	Basic dynamic load rating, radial
C _{0r}	440 N	Basic static load rating, radial
n _G	36000 1/min	Limiting speed
n _B	36500 1/min	Reference speed
C _{ur}	22,4 N	Fatigue limit load, radial

626-2Z

Figure 1 , Figure 2

d	6 mm	
D	19 mm	
B	6 mm	
d ₁	10,6 mm	
D ₂	16,7 mm	
D _{a max}	16,6 mm	
d _{a min}	8,4 mm	
r _{a max}	0,3 mm	
r _{min}	0,3 mm	
m	0,0080 kg	Mass
C _r	2600 N	Basic dynamic load rating, radial
C _{0r}	1060 N	Basic static load rating, radial
n _G	32000 1/min	Limiting speed
n _B	30500 1/min	Reference speed
C _{ur}	53 N	Fatigue limit load, radial

627-2Z

Figure 1 , Figure 2

d	7 mm	
D	22 mm	
B	7 mm	
d ₁	12,4 mm	
D ₂	19,1 mm	
D _{a max}	19,6 mm	
d _{a min}	9,4 mm	
r _{a max}	0,3 mm	
r _{min}	0,3 mm	
m	0,012 kg	Mass
C _r	3250 N	Basic dynamic load rating, radial
C _{0r}	1370 N	Basic static load rating, radial
n _G	30000 1/min	Limiting speed
n _B	28000 1/min	Reference speed
C _{ur}	72 N	Fatigue limit load, radial

629-2Z

Figure 1 , Figure 2

d	9 mm	
D	26 mm	
B	8 mm	
d ₁	14,7 mm	
D ₂	22,5 mm	
D _{a max}	23,6 mm	
d _{a min}	11,4 mm	
r _{a max}	0,3 mm	
r _{min}	0,3 mm	
m	0,021 kg	Mass
C _r	4550 N	Basic dynamic load rating, radial
C _{0r}	1960 N	Basic static load rating, radial
n _G	28000 1/min	Limiting speed
n _B	24500 1/min	Reference speed
C _{ur}	93 N	Fatigue limit load, radial

6200-2Z

Figure 1 , Figure 2

d	10 mm	
D	30 mm	
B	9 mm	
d ₁	16,7 mm	
D ₂	25 mm	
D _{a max}	25,8 mm	
d _{a min}	14,2 mm	
r _{a max}	0,6 mm	
r _{min}	0,6 mm	
m	0,032 kg	Mass
C _r	6000 N	Basic dynamic load rating, radial
C _{0r}	2600 N	Basic static load rating, radial
n _G	26000 1/min	Limiting speed
n _B	23400 1/min	Reference speed
C _{ur}	171 N	Fatigue limit load, radial

6201-2Z

Figure 1 , Figure 2

d	12 mm	
D	32 mm	
B	10 mm	
d ₁	18,3 mm	
D ₂	27,4 mm	
D _{a max}	27,8 mm	
d _{a min}	16,2 mm	
r _{a max}	0,6 mm	
r _{min}	0,6 mm	
m	0,039 kg	Mass
C _r	6950 N	Basic dynamic load rating, radial
C _{0r}	3100 N	Basic static load rating, radial
n _G	24000 1/min	Limiting speed
n _B	22200 1/min	Reference speed
C _{ur}	198 N	Fatigue limit load, radial

6202-2Z

Figure 1 , Figure 2

d	15 mm	
D	35 mm	
B	11 mm	
d ₁	21,1 mm	
D ₂	30,9 mm	
D _{a max}	30,8 mm	
d _{a min}	19,2 mm	
r _{a max}	0,6 mm	
r _{min}	0,6 mm	
m	0,045 kg	Mass
C _r	7800 N	Basic dynamic load rating, radial
C _{0r}	3750 N	Basic static load rating, radial
n _G	20000 1/min	Limiting speed
n _B	19800 1/min	Reference speed
C _{ur}	220 N	Fatigue limit load, radial

6203-2Z

Figure 1 , Figure 2

d	17 mm	
D	40 mm	
B	12 mm	
d ₁	24 mm	
D ₂	34,4 mm	
D _{a max}	35,8 mm	
d _{a min}	21,2 mm	
r _{a max}	0,6 mm	
r _{min}	0,6 mm	
m	0,067 kg	Mass
C _r	9500 N	Basic dynamic load rating, radial
C _{0r}	4750 N	Basic static load rating, radial
n _G	18000 1/min	Limiting speed
n _B	18100 1/min	Reference speed
C _{ur}	275 N	Fatigue limit load, radial

6204-2Z

Figure 1 , Figure 2

d	20 mm	
D	47 mm	
B	14 mm	
d ₁	28,8 mm	
D ₂	41 mm	
D _{a max}	41,4 mm	
d _{a min}	25,6 mm	
r _{a max}	1 mm	
r _{min}	1 mm	
m	0,11 kg	Mass
C _r	12700 N	Basic dynamic load rating, radial
C _{0r}	6550 N	Basic static load rating, radial
n _G	15000 1/min	Limiting speed
n _B	16300 1/min	Reference speed
C _{ur}	440 N	Fatigue limit load, radial

6205-2Z

Figure 1 , Figure 2

d	25 mm	
D	52 mm	
B	15 mm	
d ₁	33,5 mm	
D ₂	45,4 mm	
D _{a max}	46,4 mm	
d _{a min}	30,6 mm	
r _{a max}	1 mm	
r _{min}	1 mm	
m	0,133 kg	Mass
C _r	14000 N	Basic dynamic load rating, radial
C _{0r}	7800 N	Basic static load rating, radial
n _G	14000 1/min	Limiting speed
n _B	14500 1/min	Reference speed
C _{ur}	510 N	Fatigue limit load, radial

6206-2Z

Figure 1 , Figure 2

d	30 mm	
D	62 mm	
B	16 mm	
d ₁	40 mm	
D ₂	54,9 mm	
D _{a max}	56,4 mm	
d _{a min}	35,6 mm	
r _{a max}	1 mm	
r _{min}	1 mm	
m	0,201 kg	Mass
C _r	19300 N	Basic dynamic load rating, radial
C _{0r}	11200 N	Basic static load rating, radial
n _G	11000 1/min	Limiting speed
n _B	12000 1/min	Reference speed
C _{ur}	680 N	Fatigue limit load, radial

6207-2Z

Figure 1 , Figure 2

d	35 mm	
D	72 mm	
B	17 mm	
d ₁	47,2 mm	
D ₂	63,3 mm	
D _{a max}	65 mm	
d _{a min}	42 mm	
r _{a max}	1 mm	
r _{min}	1,1 mm	
m	0,299 kg	Mass
C _r	25500 N	Basic dynamic load rating, radial
C _{0r}	15300 N	Basic static load rating, radial
n _G	9500 1/min	Limiting speed
n _B	10400 1/min	Reference speed
C _{ur}	920 N	Fatigue limit load, radial

6208-2Z

Figure 1 , Figure 2

d	40 mm	
D	80 mm	
B	18 mm	
d ₁	53 mm	
D ₂	70,4 mm	
D _{a max}	73 mm	
d _{a min}	47 mm	
r _{a max}	1 mm	
r _{min}	1,1 mm	
m	0,382 kg	Mass
C _r	29000 N	Basic dynamic load rating, radial
C _{0r}	18000 N	Basic static load rating, radial
n _G	8500 1/min	Limiting speed
n _B	9300 1/min	Reference speed
C _{ur}	1050 N	Fatigue limit load, radial

6209-2Z

Figure 1 , Figure 2

d	45 mm	
D	85 mm	
B	19 mm	
d ₁	57,2 mm	
D ₂	74,6 mm	
D _{a max}	78 mm	
d _{a min}	52 mm	
r _{a max}	1 mm	
r _{min}	1,1 mm	
m	0,441 kg	Mass
C _r	31000 N	Basic dynamic load rating, radial
C _{0r}	20400 N	Basic static load rating, radial
n _G	8000 1/min	Limiting speed
n _B	8900 1/min	Reference speed
C _{ur}	1150 N	Fatigue limit load, radial

6210-2Z

Figure 1, Figure 2

d	50 mm	
D	90 mm	
B	20 mm	
d ₁	62 mm	
D ₂	80 mm	
D _{a max}	83 mm	
d _{a min}	57 mm	
r _{a max}	1 mm	
r _{min}	1,1 mm	
m	0,478 kg	Mass
C _r	36500 N	Basic dynamic load rating, radial
C _{0r}	24000 N	Basic static load rating, radial
n _G	7500 1/min	Limiting speed
n _B	8200 1/min	Reference speed
C _{ur}	1420 N	Fatigue limit load, radial

6211-2Z

Figure 1 , Figure 2

d	55 mm	
D	100 mm	
B	21 mm	
d ₁	68,7 mm	
D ₂	88,2 mm	
D _{a max}	91 mm	
d _{a min}	64 mm	
r _{a max}	1,5 mm	
r _{min}	1,5 mm	
m	0,632 kg	Mass
C _r	43000 N	Basic dynamic load rating, radial
C _{0r}	29000 N	Basic static load rating, radial
n _G	6700 1/min	Limiting speed
n _B	7500 1/min	Reference speed
C _{ur}	1720 N	Fatigue limit load, radial

6212-2Z

Figure 1 , Figure 2

d	60 mm	
D	110 mm	
B	22 mm	
d ₁	75,8 mm	
D ₂	97,7 mm	
D _{a max}	101 mm	
d _{a min}	69 mm	
r _{a max}	1,5 mm	
r _{min}	1,5 mm	
m	0,807 kg	Mass
C _r	52000 N	Basic dynamic load rating, radial
C _{0r}	36000 N	Basic static load rating, radial
n _G	6000 1/min	Limiting speed
n _B	6800 1/min	Reference speed
C _{ur}	2240 N	Fatigue limit load, radial

6213-2Z

Figure 1 , Figure 2

d	65 mm	
D	120 mm	
B	23 mm	
d ₁	82 mm	
D ₂	106,3 mm	
D _{a max}	111 mm	
d _{a min}	74 mm	
r _{a max}	1,5 mm	
r _{min}	1,5 mm	
m	1,03 kg	Mass
C _r	60000 N	Basic dynamic load rating, radial
C _{0r}	41500 N	Basic static load rating, radial
n _G	5300 1/min	Limiting speed
n _B	6300 1/min	Reference speed
C _{ur}	2550 N	Fatigue limit load, radial

6214-2Z

Figure 1 , Figure 2

d	70 mm	
D	125 mm	
B	24 mm	
d ₁	86,8 mm	
D ₂	110,7 mm	
D _{a max}	116 mm	
d _{a min}	79 mm	
r _{a max}	1,5 mm	
r _{min}	1,5 mm	
m	1,11 kg	Mass
C _r	62000 N	Basic dynamic load rating, radial
C _{0r}	44000 N	Basic static load rating, radial
n _G	5000 1/min	Limiting speed
n _B	6100 1/min	Reference speed
C _{ur}	2900 N	Fatigue limit load, radial

6215-2Z

Figure 1 , Figure 2

d	75 mm	
D	130 mm	
B	25 mm	
d ₁	92,1 mm	
D ₂	115,5 mm	
D _{a max}	121 mm	
d _{a min}	84 mm	
r _{a max}	1,5 mm	
r _{min}	1,5 mm	
m	1,21 kg	Mass
C _r	65500 N	Basic dynamic load rating, radial
C _{0r}	49000 N	Basic static load rating, radial
n _G	4800 1/min	Limiting speed
n _B	5900 1/min	Reference speed
C _{ur}	3350 N	Fatigue limit load, radial

6216-2Z

Figure 1 , Figure 2

d	80 mm	
D	140 mm	
B	26 mm	
d ₁	98,5 mm	
D ₂	124,5 mm	
D _{a max}	129 mm	
d _{a min}	91 mm	
r _{a max}	2 mm	
r _{min}	2 mm	
m	1,49 kg	Mass
C _r	72000 N	Basic dynamic load rating, radial
C _{0r}	54000 N	Basic static load rating, radial
n _G	4500 1/min	Limiting speed
n _B	5600 1/min	Reference speed
C _{ur}	3450 N	Fatigue limit load, radial

6217-2Z

Figure 1 , Figure 2

d	85 mm	
D	150 mm	
B	28 mm	
d ₁	106,2 mm	
D ₂	133,8 mm	
D _{a max}	139 mm	
d _{a min}	96 mm	
r _{a max}	2 mm	
r _{min}	2 mm	
m	1,91 kg	Mass
C _r	83000 N	Basic dynamic load rating, radial
C _{0r}	64000 N	Basic static load rating, radial
n _G	4300 1/min	Limiting speed
n _B	5300 1/min	Reference speed
C _{ur}	4050 N	Fatigue limit load, radial

6218-2Z

Figure 1 , Figure 2

d	90 mm	
D	160 mm	
B	30 mm	
d ₁	112,3 mm	
D ₂	143,4 mm	
D _{a max}	149 mm	
d _{a min}	101 mm	
r _{a max}	2 mm	
r _{min}	2 mm	
m	2,26 kg	Mass
C _r	96500 N	Basic dynamic load rating, radial
C _{0r}	72000 N	Basic static load rating, radial
n _G	3800 1/min	Limiting speed
n _B	5100 1/min	Reference speed
C _{ur}	4200 N	Fatigue limit load, radial

6219-2Z

Figure 1 , Figure 2

d	95 mm	
D	170 mm	
B	32 mm	
d ₁	118,3 mm	
D ₂	150,9 mm	
D _{a max}	158 mm	
d _{a min}	107 mm	
r _{a max}	2,1 mm	
r _{min}	2,1 mm	
m	2,79 kg	Mass
C _r	108000 N	Basic dynamic load rating, radial
C _{0r}	81500 N	Basic static load rating, radial
n _G	3600 1/min	Limiting speed
n _B	4950 1/min	Reference speed
C _{ur}	4700 N	Fatigue limit load, radial

6220-2Z

Figure 1 , Figure 2

d	100 mm	
D	180 mm	
B	34 mm	
d ₁	124,7 mm	
D ₂	158,9 mm	
D _{a max}	168 mm	
d _{a min}	112 mm	
r _{a max}	2,1 mm	
r _{min}	2,1 mm	
m	3,36 kg	Mass
C _r	122000 N	Basic dynamic load rating, radial
C _{0r}	93000 N	Basic static load rating, radial
n _G	3400 1/min	Limiting speed
n _B	4800 1/min	Reference speed
C _{ur}	5400 N	Fatigue limit load, radial

6221-2Z

Figure 1 , Figure 2

d	105 mm	
D	190 mm	
B	36 mm	
d ₁	131,5 mm	
D ₂	168,1 mm	
D _{a max}	178 mm	
d _{a min}	117 mm	
r _{a max}	2,1 mm	
r _{min}	2,1 mm	
m	3,99 kg	Mass
C _r	132000 N	Basic dynamic load rating, radial
C _{0r}	104000 N	Basic static load rating, radial
n _G	3200 1/min	Limiting speed
n _B	4650 1/min	Reference speed
C _{ur}	5700 N	Fatigue limit load, radial

6222-2Z

Figure 1 , Figure 2

d	110 mm	
D	200 mm	
B	38 mm	
d ₁	138 mm	
D ₂	177,2 mm	
D _{a max}	188 mm	
d _{a min}	122 mm	
r _{a max}	2,1 mm	
r _{min}	2,1 mm	
m	4,8 kg	Mass
C _r	143000 N	Basic dynamic load rating, radial
C _{0r}	116000 N	Basic static load rating, radial
n _G	3000 1/min	Limiting speed
n _B	4500 1/min	Reference speed
C _{ur}	6300 N	Fatigue limit load, radial

6224-2Z

Figure 1 , Figure 2

d	120 mm	
D	215 mm	
B	40 mm	
d ₁	151,1 mm	
D ₂	190,5 mm	
D _{a max}	203 mm	
d _{a min}	132 mm	
r _{a max}	2,1 mm	
r _{min}	2,1 mm	
m	5,8 kg	Mass
C _r	146000 N	Basic dynamic load rating, radial
C _{0r}	122000 N	Basic static load rating, radial
n _G	2800 1/min	Limiting speed
n _B	4250 1/min	Reference speed
C _{ur}	6200 N	Fatigue limit load, radial

6226-2Z

Figure 1 , Figure 2

d	130 mm	
D	230 mm	
B	40 mm	
d ₁	161 mm	
D ₂	203,5 mm	
D _{a max}	216 mm	
d _{a min}	144 mm	
r _{a max}	2,5 mm	
r _{min}	3 mm	
m	6,18 kg	Mass
C _r	166000 N	Basic dynamic load rating, radial
C _{0r}	146000 N	Basic static load rating, radial
n _G	2600 1/min	Limiting speed
n _B	3900 1/min	Reference speed
C _{ur}	7500 N	Fatigue limit load, radial